

# ALTERNATIVE SLEEVE INSTALLATION INSTRUCTIONS - MODEL WME

To help eliminate any installation problems and to help assure trouble-free performance of your new air conditioner, read these instructions before installing this unit.

Inspect the condition of your previously installed wall sleeve you'd like to install your new air conditioner in. Be sure it will support the weight of the unit, and that the sleeve has been fastened to wall opening.

**CAUTION:** TAKE ALL NECESSARY STEPS TO PERMANENTLY PREVENT THE CHASSIS FROM BEING INADVERTENTLY PUSHED OUT THE BACK OF THE WALL SLEEVE.

Be sure air conditioner does not fall during installation.

Handle the air conditioner with care. Watch out for the sharp metal fins on the front and rear coils.

Do not use water condensate for drinking purposes. It may not be sanitary.

**THIS APPLIANCE MUST BE INSTALLED ACCORDING TO ALL APPLICABLE CODES AND ORDINANCES.**

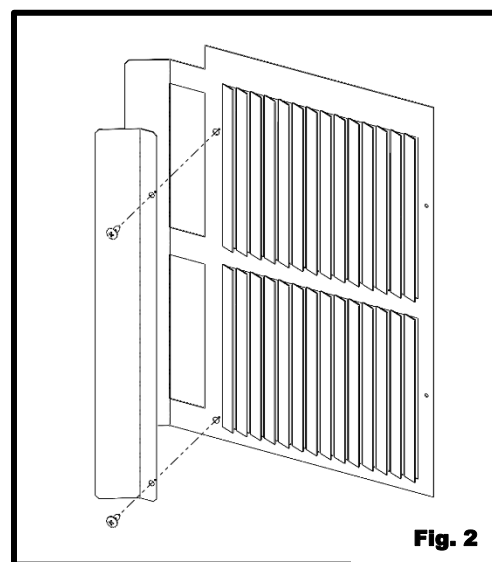
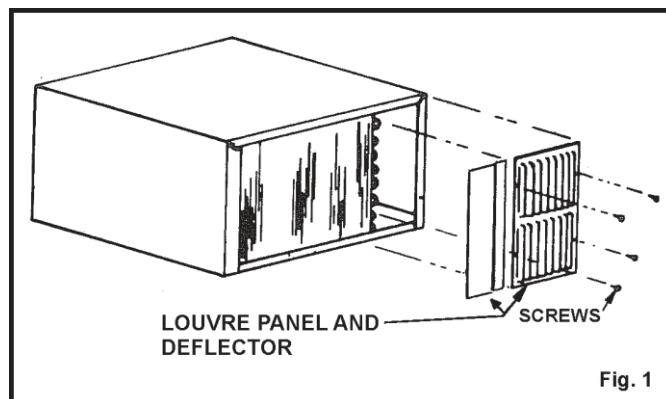
## NOTICE

Before this air conditioner can be installed into a sleeve other than the Original Equipment Wall Sleeve with inside dimensions of 23" (58.4 cm) wide x 15 9/32" (38.8 cm) high specifically designed for this air conditioner, the provided louvre panel (Figure 1 & 2) must be installed as shown. Parts are provided with the unit.

If your sleeve has a rear grille/louvre panel, it must be removed. You are responsible for ensuring the unit cannot slide out the back of the sleeve by some means (such as a piece of metal angle iron) installed in the sleeve.

Replacement situations will already have the decorative Trim Frame in use to fill the gaps between the unit and the sleeve. For new installations, kit no. RAX99TRA1 is required but not included. It will allow you to install the unit in other wall sleeves, as indicated in the table below.

Follow the instructions contained in the kit - you are responsible for ensuring the air conditioner chassis has a positive slope of 1/4" per foot toward the outside, regardless of the slope of the sleeve.



SLEEVE TYPE	WIDTH (INSIDE)	HEIGHT (INSIDE)
ORIGINAL DESIGN	23" (58.4 cm)	15 9/32" (38.8 cm)
W	24 1/2" (62.2 cm)	14 1/2" (36.8 cm)
C	24 5/16" (61.8 cm)	15 3/42" (40.0 cm)
F	26 5/8" (67.6 cm)	16 11/16" (42.4 cm)
G	25 1/4" (62.2 cm)	14 5/8" (37.1 cm)

