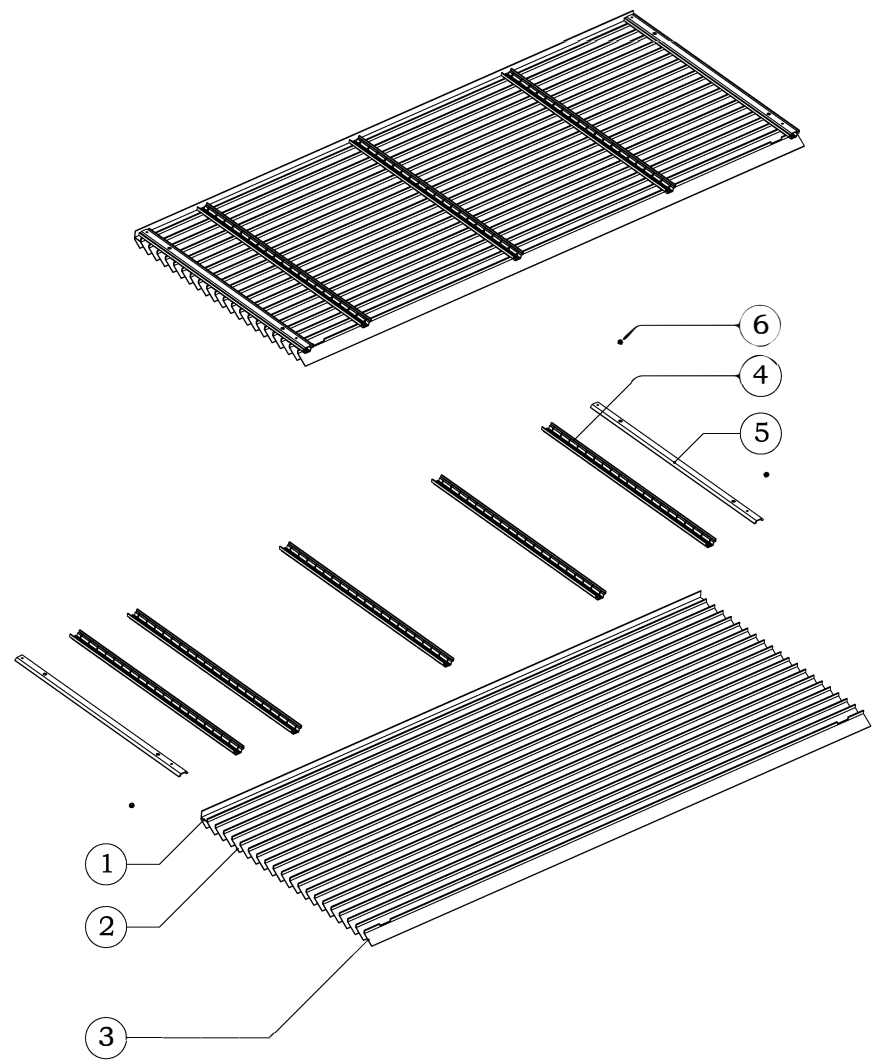
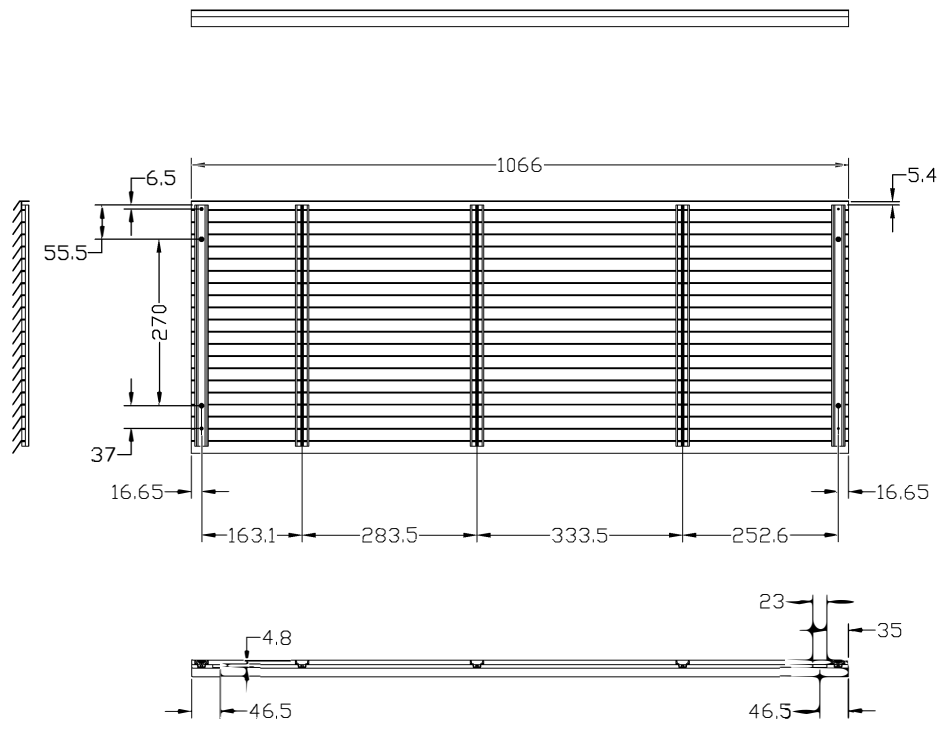


A
B
C
D
E
F

A
B
C
D
E
F



6								
5								
4								
3								
2								
1				AL6063-T5	1			
NO:	DRG NO.	TITEL	STEP	MATERIAL	PCS	FINISH	REV	NOTES

ACC42AAGRILLE	
16" High x 42" Wide Aluminum Grille	
mm	2013.04.19
I	

Applied Comfort
Products Carver Inc.
Applied Comfort 
DWG NO: BYC-KT