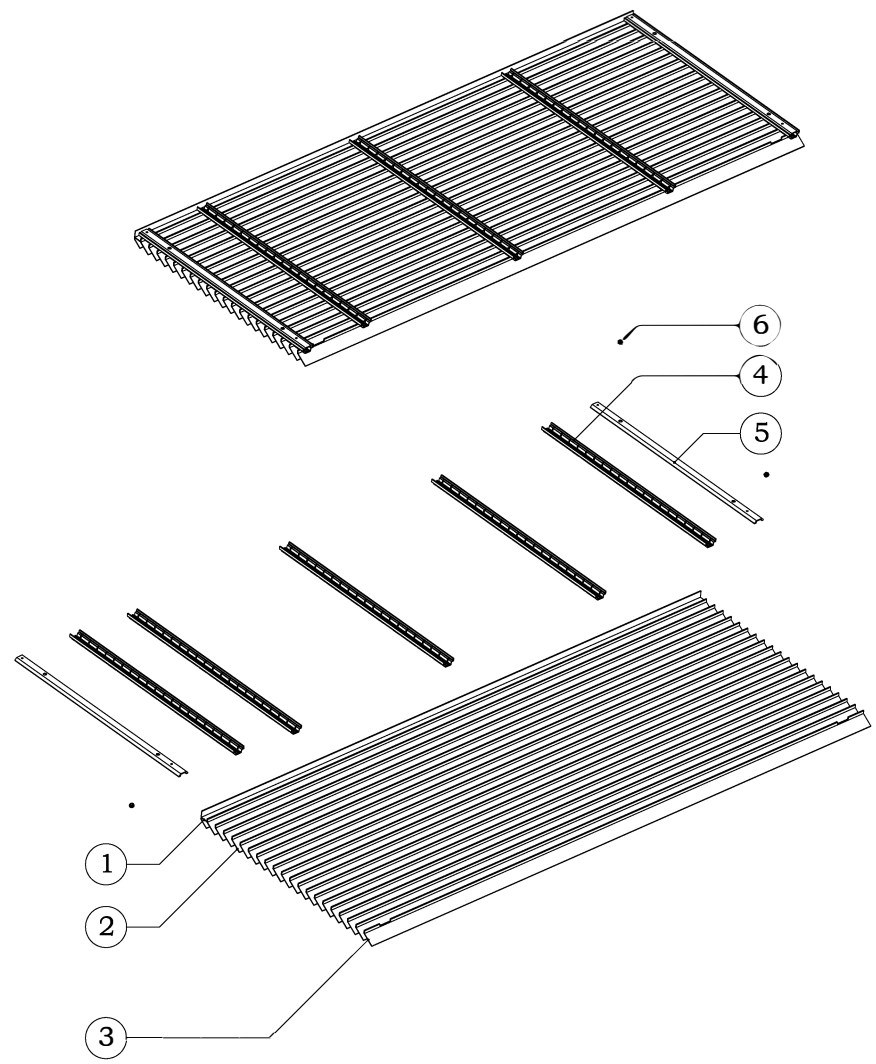
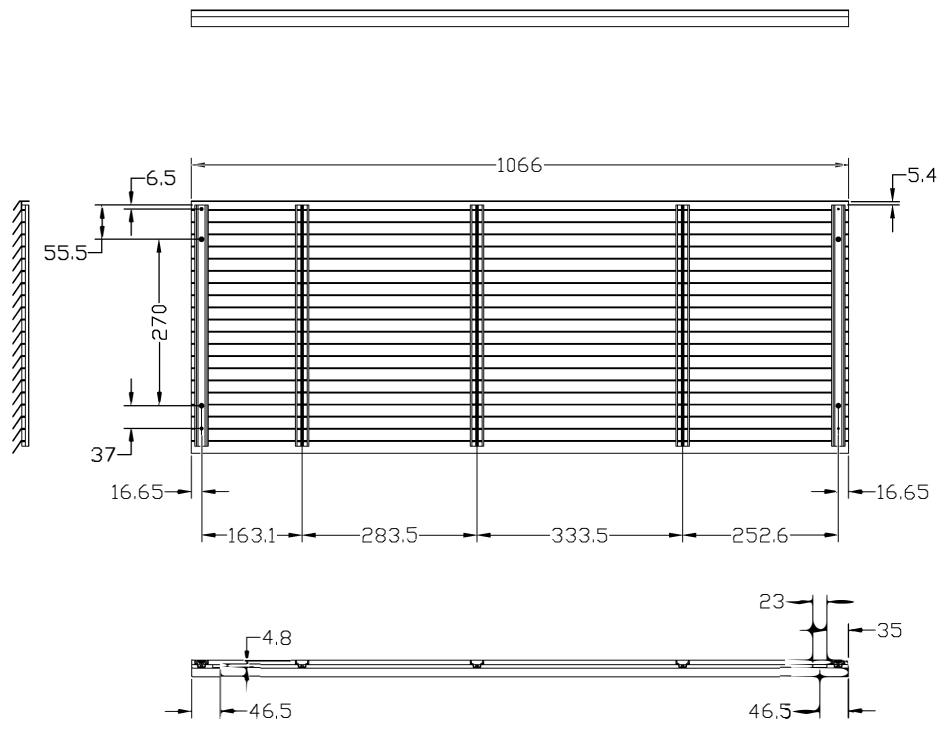


A  
B  
C  
D  
E  
F

A  
B  
C  
D  
E  
F



6								
5								
4								
3								
2								
1				AL6063-T5	1			
NO:	DRG NO.	TITEL	STEP	MATERIAL	PCS	FINISH	REV	NOTES

	ACC42AAGRILLE	
	16" High x 42" Wide Aluminum Grille	
	mm	2013.04.19
	I	

Applied Comfort  
Products Carver Inc.  
**Applied Comfort**

DWG NO: BYC-KT