

- Drain Kit for Wall Case -



1. IMPORTANT

This Drain Kit can be used for either internal or external drain.

Below, a brief outline is given of where and how to use the Drain Kit. Be sure to read These instructions before installation.

CAUTION:

- Attach Drain Kit before mounting wall sleeve to the wall and before installing rear Grille.
- Do not allow the drain tube to run upward beyond the horizontal plane.
- Make sure no traps form along the tube.

2. HOW TO INSTALL THE DRAIN KIT

EXTERNAL DRAIN

1. Position the Gasket (A) (predrilled 1/2"holes) to the Mounting Plate (B) (predrilled 1/2"holes) so that the screw holes are aligned. Insert the 1/2"O.D. Drain Tube (C) from The gasket side and pass it through the gasket and mounting plate. See Fig.2.
2. Attach the assembly with 2 screws to either the right or left flange at the rear of the Sleeve. (Fig.1) Wall Sleeve with 1/2" drain tube should be mounted so that the tube Protrudes outside from the wall surface by 1/4".
3. Attach gasket without drain holes to the back side of the mounting plate without drain Holes, then install with 2 screws so that the holes in the rear flange of the sleeve are Completely sealed.
4. Attach commercial tube or hose to the tip of the 1/2"O.D. drain tube as necessary. please Note the following precautions while performing this task.
 - Do not apply force to Drain Kit.
 - Make sure that no traps can form in the tube and that the tube itself does not become deformed.
 - Tighten the screws of the mounting plates firmly so there is no slack.

NOTE:

- In the case of external drain ,one set of gasket and mounting plate without drain holes is not used.
- After completing installation work, always check that water drains properly and that there is no leakage from blocked-up points.

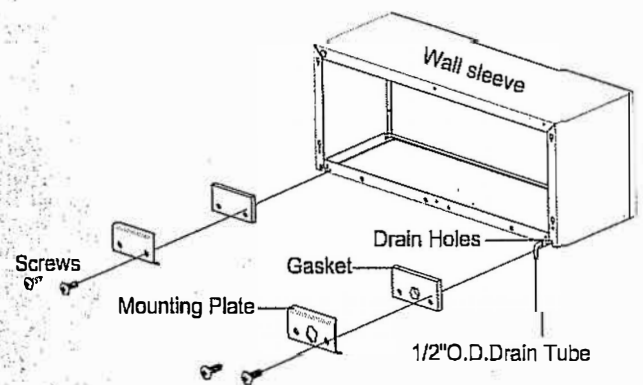
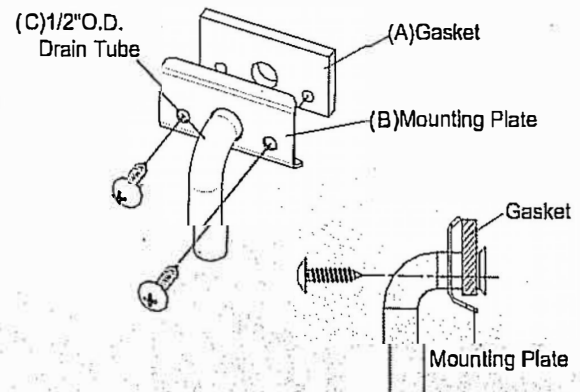


Fig.1

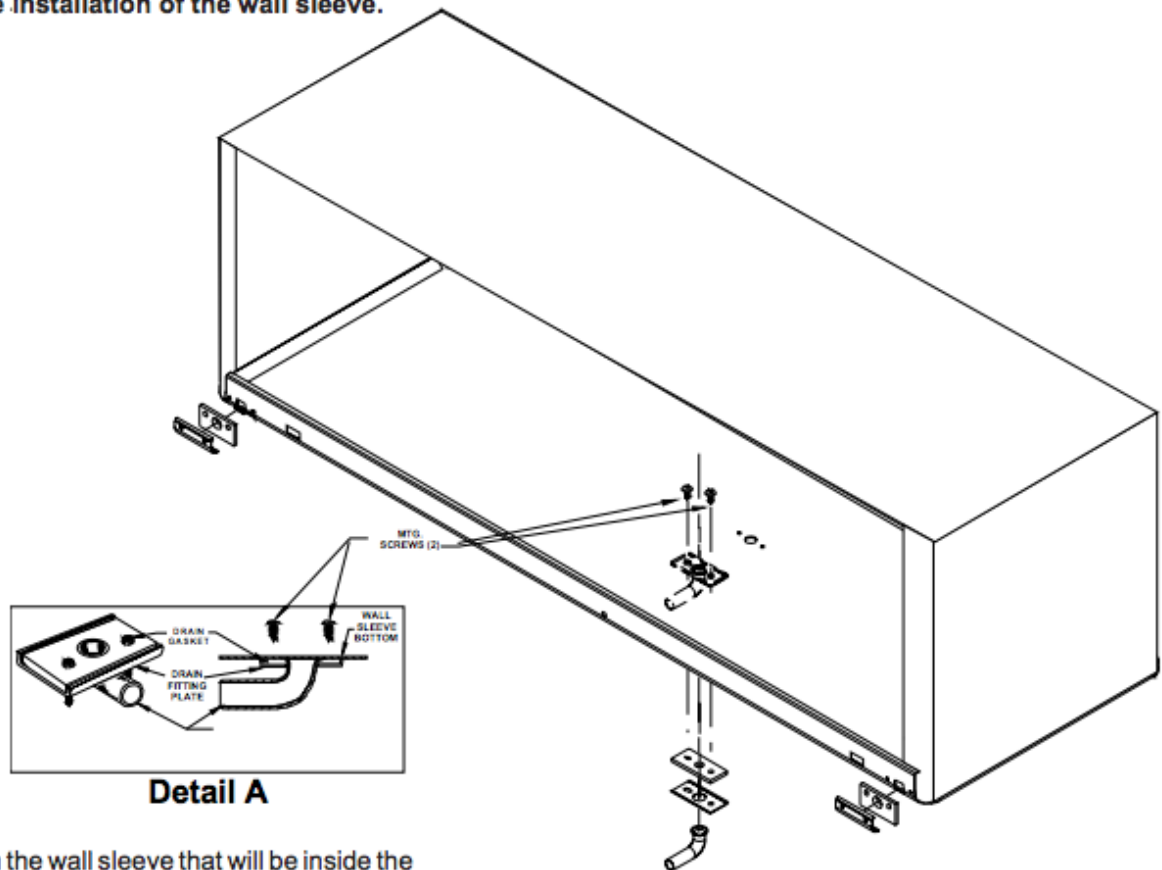


Alternate 6" long, 1/2" O.D. Straight

Fig.2

Installation for Indoor Use

The components of the wall sleeve drain kit for indoor use are shown in figure below. These components must be installed prior to the installation of the wall sleeve.

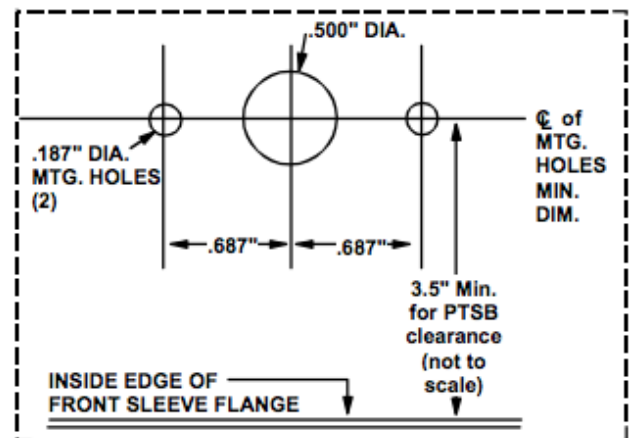


Detail A

1. Locate an area on the wall sleeve that will be inside the room when the sleeve is installed. If a subbase is installed, locate the kit a minimum of 3 1/2" from the front flange of the wall sleeve. This clearance will provide adequate clearance for the subbase.
2. Cutout the template shown to the right. Using this template, locate and drill the drain kit holes as close to the outside wall as possible.
3. Using detail A (above) as a guide, assemble the drain gasket, drain fitting plate, and indoor drain fitting together. Install the assembly into the drilled holes and secure using the two indoor mounting screws provided. The screws must be inserted **INSIDE** the wall sleeve and **TOP** driven down into the drain fitting plate. Ensure drain tube is not restricted. Cover the two screw heads with a good quality outdoor caulking (not supplied) for additional corrosion protection.

NOTE: If the drain fitting is not immediately connected to an indoor drainage system after the wall sleeve installation, plug the hole with cork (not included) to prevent indoor water damage in case it rains.

4. Install a 1/2" ID tube or hose (not included) on the drain fitting and interconnect it to the drain system inside of the building. Ensure that there are no kinks or traps in tube or hose. Kinks or traps can cause improper drainage.
5. Install the two drain blank-off plates and outdoor drain gaskets on the outdoor portion of the wall sleeve. These components can be installed after the sleeve is secured in the wall opening just prior to the installation of the condenser grille and chassis.



Template

Due to policy of continual product improvement, the right is reserved to change specifications and design without notice.