

# C26 Series



INDUSTRY STANDARD SLEEVE

## 16 x 26"

Thru-The-Wall ROOM AIR CONDITIONERS

COOLING ONLY | COOLING + ELECTRIC HEAT | HEATPUMP + ELECTRIC HEAT

## Applied Comfort™ C26 Series Built-in Air Conditioners.



Loaded with Features.

26"(W) X 15-5/8"(H) X 16-7/8"(D)  
Electronic touch pad thermostat  
Hand held controller (optional)  
Slide-out chassis  
Efficient rotary compressor

Fan cycle switch  
4-way adjustable air discharge  
Hidden vent control  
Energy saver mode  
Easy to clean filter

Direct fit replacement for GE and Amana 26" wide TTW models. Installs weathertight in most common 16 x 26" sleeves with the use of trim kit.

High energy efficiency with models up to 11.7 EER, saving you energy costs compared to the units you are replacing.

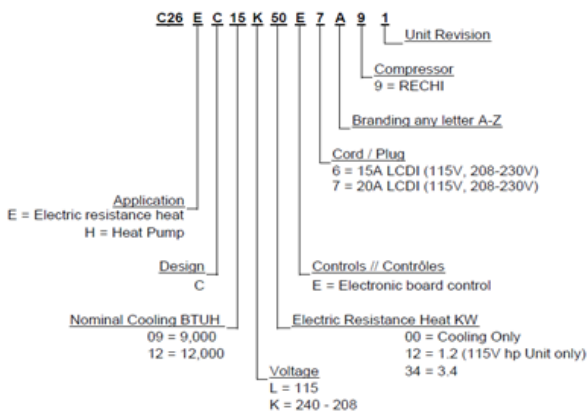
26" Trim Kit available for Friedrich and Fedders wall sleeves (Fedders #BSA00C and Friedrich #WSC)

Premium Components provide exceptional reliability, durability, low sound, and long-life.

Warranty by Applied Comfort Products Carver Inc.

C26 products are covered by a standard 1 year comprehensive parts & labor warranty, and a 6 year compressor parts warranty.

Model No.	Power Supply	Freq.	NEMA Plug	Cooling			Electric Heat	Reverse Cycle Heat Pump			Airflow CFM		
	VOLTS			Hz	Btu / hr	CEER	Watts	Watts	Btu / hr	Watts	COP	HIGH	MED
C26EC09L00E6	115	60	5-15P	9000	9.7	920.0	n/a	n/a	n/a	n/a	283	247	188
C26EC12L00E6	115	60	5-15P	11800	9.7	1200.0	n/a	n/a	n/a	n/a	283	247	188
C26EC09K00E6	230 - 208	60	6-15P	9400 / 9300	9.8/10.1	940 / 910	n/a	n/a	n/a	n/a	270	235	177
C26EC12K00E6	230 - 208	60	6-15P	11800 / 11600	9.8/10.0	1185 / 1145	n/a	n/a	n/a	n/a	270	235	177
C26EC09K34E7	230 - 208	60	6-20P	9400 / 9300	9.8/10.1	940 / 910	230V - 3.4	n/a	n/a	n/a	270	235	177
C26EC12K34E7	230 - 208	60	6-20P	11800 / 11600	9.8/10.0	1185 / 1145	230V - 3.4	n/a	n/a	n/a	270	235	177
C26HC09L12E6	115	60	5-15P	9000	9.7	920.0	115V - 1.2	8500	805	3.1	283	247	188
C26HC09K34E7	230 - 208	60	6-20P	9300 / 9100	9.7/9.8	940 / 910	230V - 3.4	8800 / 8600	830 / 810	3.1 / 3.1	270	235	177
C26HC12K34E7	230 - 208	60	6-20P	11700 / 11500	9.5/9.5	1220 / 1200	230V - 3.4	11400 / 11200	1160 / 1140	3.0 / 3.0	270	235	177



### Accessories.

- 16 x 26" Architectural Grille - aluminum ACC26AAGRILLE
- 16 x 26" Wall Sleeve - powder-coated galvanized steel ACC26SLEEVE-FULL
- 16 x 27" Fedder/Friedrich Sleeve Trim Kit ACC26FRAME27

www.ptacs.com

1-877-ACP-PTAC

Distributed By: