

> DM Series Packaged Terminal Air Conditioner

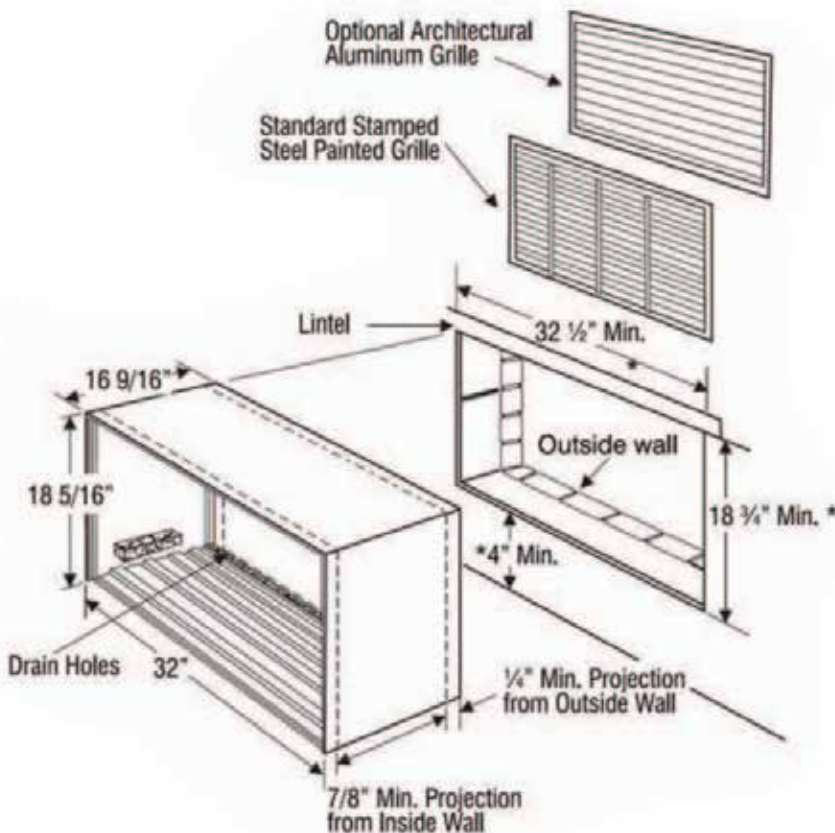
Sleeve Size: 32" X 18^{5/16}"

Applied Comfort's DM Series has been engineered and designed to elevate comfort and efficiency. This series boasts a modern aesthetic and comes with a variety of innovative features tailored to meet the need of your customers.

With its premium component design, the DM incorporates electronic temperature limiting technology, ensuring optimum reliability for your customers.



Masonry Wall Installation



1st year parts and labor.
2nd to 6th year sealed system parts.
Free shipping on warranty parts.
(Canada and Continental USA)
Additional extended warranty for purchase.

Features

Controls

New premium component design that brings digital controls to the DM Series.

Front Desk Ready

Front desk control through 24VAC control protocol.

Electronic Temperature Limits

Flexible heating and cooling range limits.

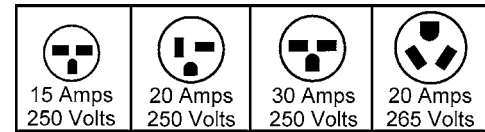
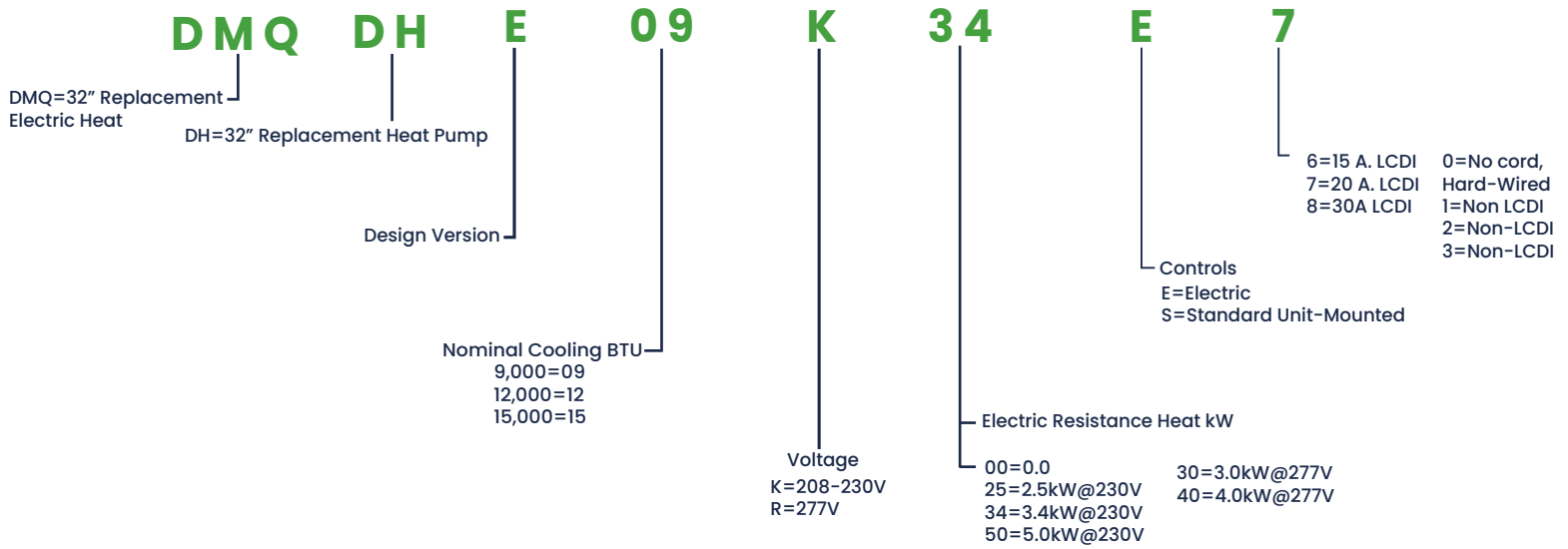
Low Noise

Uses acoustic noise reducing materials and optimized fan design.

Premium Design

Durable and contemporary metal front cover, grille, and door.

Distributed by:



Air Conditioner with Electric Heat. Cord Connected. (230-208V)

Model	Voltage	Cooling			Resistance Heat			Min. Circuit Amps	MOP Fuse Amps	Indoor CFM	NEMA Plug	S/T	Pts/hr.	Net Wt. lbs
		BTU / Hr.	EER	Amps	BTU / Hr.	kW	Amps							
DMQE09K00_6	230/208	8500	9.9	4.1/4.3	N/A	N/A	N/A	6.4	15	310	6-15P	.76	1.9	132
DMQE09K00_7	230/208	8500	9.9	4.1/4.3	N/A	N/A	N/A	6.4	20	310	6-20P	.76	1.9	132
DMQE09K25_6	230/208	8500	9.9	4.1/4.3	8800/7200	2.5/2.1	11.4/10.3	14.2	15	310	6-15P	.76	1.9	132
DMQE09K25_7	230/208	8500	9.9	4.1/4.3	8800/7200	2.5/2.1	11.4/10.3	14.2	20	310	6-20P	.76	1.9	132
DMQE09K34_7	230/208	8500	9.9	4.1/4.3	11900/9700	3.4/2.8	15.3/13.9	19.1	20	310	6-20P	.76	1.9	132
DMQE09K34_8	230/208	8500	9.9	4.1/4.3	11900/9700	3.4/2.8	15.3/13.9	19.1	30	310	6-30P	.76	1.9	132
DMQE09K50_8	230/208	8500	9.9	4.1/4.3	17300/14200	5.0/4.1	22.2/20.2	27.8	30	310	6-30P	.76	1.9	132
DMQE12K00_6	230/208	11500	9.2	5.7/6.0	N/A	N/A	N/A	8.1	15	300	6-15P	.66	3.7	135
DMQE12K00_7	230/208	11500	9.2	5.7/6.0	N/A	N/A	N/A	8.1	20	300	6-20P	.66	3.7	135
DMQE12K25_6	230/208	11500	9.2	5.7/6.0	8800/7200	2.5/2.1	11.4/10.3	14.2	15	300	6-15P	.66	3.7	135
DMQE12K25_7	230/208	11500	9.2	5.7/6.0	8800/7200	2.5/2.1	11.4/10.3	14.2	20	300	6-20P	.66	3.7	135
DMQE12K34_7	230/208	11500	9.2	5.7/6.0	11900/9700	3.4/2.8	15.3/13.9	19.1	20	300	6-20P	.66	3.7	135
DMQE12K34_8	230/208	11500	9.2	5.7/6.0	11900/9700	3.4/2.8	15.3/13.9	19.1	30	300	6-30P	.66	3.7	135
DMQE12K50_8	230/208	11500	9.2	5.7/6.0	17300/14200	5.0/4.1	22.2/20.2	27.8	30	300	6-30P	.66	3.7	135
DMQE15K00_6	230/208	13100	8.5	7.0/7.4	N/A	N/A	N/A	10.0	15	300	6-15P	.63	4.5	135
DMQE15K00_7	230/208	13100	8.5	7.0/7.4	N/A	N/A	N/A	10.0	20	300	6-20P	.63	4.5	135
DMQE15K25_6	230/208	13100	8.5	7.0/7.4	8800/7200	2.5/2.1	11.4/10.3	14.2	15	300	6-15P	.63	4.5	135
DMQE15K25_7	230/208	13100	8.5	7.0/7.4	8800/7200	2.5/2.1	11.4/10.3	14.2	20	300	6-20P	.63	4.5	135
DMQE15K34_7	230/208	13100	8.5	7.0/7.4	11900/9700	3.4/2.8	15.3/13.9	19.1	20	300	6-20P	.63	4.5	135
DMQE15K34_8	230/208	13100	8.5	7.0/7.4	11900/9700	3.4/2.8	15.3/13.9	19.1	30	300	6-30P	.63	4.5	135
DMQE15K50_8	230/208	13100	8.5	7.0/7.4	17300/14200	5.0/4.1	22.2/20.2	27.8	30	300	6-30P	.63	4.5	135

Time delay fuse or HACR circuit breaker
°Dry Coil

Air Conditioner with Electric Resistance Heat. Permanently Connected. (277V).

Model	Voltage	Cooling			Resistance Heat			Min. Circuit Amps	MOP Fuse Amps	Indoor CFM HIGH ^o	NEMA Plug	S/T	Pts/hr.	Net Wt. lbs
		BTU / Hr.	EER	Amps	BTU / Hr.	kW	Amps							
DMQE09R00E0	277	8500	9.9	3.4	N/A	N/A	N/A	5.7	15	310	N/A	.76	1.9	132
DMQE09R00E_1	277	8500	9.9	3.4	N/A	N/A	N/A	5.7	15	310	7-15P	.76	1.9	132
DMQE09R00E_2	277	8500	9.9	3.4	N/A	N/A	N/A	5.7	15	310	7-20P	.76	1.9	132
DMQE09R30E0	277	8500	9.9	3.4	10500	3.0	11.3	14.1	15	310	N/A	.76	1.9	132
DMQE09R30_1	277	8500	9.9	3.4	10500	3.0	11.3	14.1	15	310	7-15P	.76	1.9	132
DMQE09R30_2	277	8500	9.9	3.4	10500	3.0	11.3	14.1	15	310	7-20P	.76	1.9	132
DMQE09R34E0	277	8500	9.9	3.4	11900	3.4	12.7	15.9	20	310	N/A	.76	1.9	132
DMQE09R34_2	277	8500	9.9	3.4	11900	3.4	12.7	15.9	20	310	7-15P	.76	1.9	132
DMQE09R34_3	277	8500	9.9	3.4	11900	3.4	12.7	15.9	20	310	7-30P	.76	1.9	132
DMQE09R40E0	277	8500	9.9	3.4	13900	4.0	14.9	18.6	20	310	N/A	.76	1.9	132
DMQE09R40_2	277	8500	9.9	3.4	13900	4.0	14.9	18.6	20	310	7-20P	.76	1.9	132
DMQE09R40_3	277	8500	9.9	3.4	13900	4.0	14.9	18.6	20	310	7-30P	.76	1.9	132
DMQE12R00E0	277	11500	9.2	4.8	N/A	N/A	N/A	6.4	15	300	N/A	.66	3.7	135
DMQE12R00_1	277	11500	9.2	4.8	N/A	N/A	N/A	6.4	15	300	7-15P	.66	3.7	135
DMQE12R00_2	277	11500	9.2	4.8	N/A	N/A	N/A	6.4	15	300	7-20P	.66	3.7	135
DMQE12R30E0	277	11500	9.2	4.8	10500	3.0	11.3	14.1	15	300	N/A	.66	3.7	135
DMQE12R30_1	277	11500	9.2	4.8	10500	3.0	11.3	14.1	15	300	7-15P	.66	3.7	135
DMQE12R30_2	277	11500	9.2	4.8	10500	3.0	11.3	14.1	15	300	7-20P	.66	3.7	135
DMQE12R34E0	277	11500	9.2	4.8	11900	3.4	12.7	15.9	20	300	N/A	.66	3.7	135
DMQE12R34_2	277	11500	9.2	4.8	11900	3.4	12.7	15.9	20	300	7-20P	.66	3.7	135
DMQE12R34_3	277	11500	9.2	4.8	11900	3.4	12.7	15.9	20	300	7-30P	.66	3.7	135
DMQE12R40E0	277	11500	9.2	4.8	13900	4.0	14.9	18.6	20	300	N/A	.66	3.7	135
DMQE12R40_2	277	11500	9.2	4.8	13900	4.0	14.9	18.6	20	300	7-20P	.66	3.7	135
DMQE12R40_3	277	11500	9.2	4.8	13900	4.0	14.9	18.6	20	300	7-30P	.66	3.7	135
DMQE15R00E0	277	13100	8.5	5.9	N/A	N/A	N/A	7.8	15	300	N/A	.63	4.5	135
DMQE15R00_1	277	13100	8.5	5.9	N/A	N/A	N/A	7.8	15	300	7-15P	.63	4.5	135
DMQE15R00_2	277	13100	8.5	5.9	N/A	N/A	N/A	7.8	15	300	7-20P	.63	4.5	135
DMQE15R30E0	277	13100	8.5	5.9	10500	3.0	11.3	14.1	15	300	N/A	.63	4.5	135
DMQE15R30_1	277	13100	8.5	5.9	10500	3.0	11.3	14.1	15	300	7-15P	.63	4.5	135
DMQE15R30_2	277	13100	8.5	5.9	10500	3.0	11.3	14.1	15	300	7-20P	.63	4.5	135
DMQE15R34E0	277	13100	8.5	5.9	11900	3.4	12.7	15.9	20	300	N/A	.63	4.5	135
DMQE15R34_2	277	13100	8.5	5.9	11900	3.4	12.7	15.9	20	300	7-20P	.63	4.5	135
DMQE15R34_3	277	13100	8.5	5.9	11900	3.4	12.7	15.9	20	300	7-30P	.63	4.5	135
DMQE15R40E0	277	13100	8.5	5.9	13900	4.0	14.9	18.6	20	300	N/A	.63	4.5	135
DMQE15R40_2	277	13100	8.5	5.9	13900	4.0	14.9	18.6	20	300	7-20P	.63	4.5	135
DMQE15R40_3	277	13100	8.5	5.9	13900	4.0	14.9	18.6	20	300	7-30P	.63	4.5	135

Time Delay Fuse or HACR Circuit Breaker
°Dry Coil

Air Conditioner with Electric Resistance Heat. Hardwired (230-208V)

Model	Voltage	Cooling			Resistance Heat			Min. Circuit Amps	Fuse Amps	Indoor CFM HIGH*	NEMA Plug	S/T	Pts/hr.	Net Wt. lbs
		BTU / Hr.	EER	Amps	BTU / Hr.	kW	Amps							
DMQE09K00E0	230/208	8500	9.9	4.1/4.3	N/A	N/A	N/A	6.4	15	310	N/A	.76	1.9	132
DMQE09K25E0	230/208	8500	9.9	4.1/4.3	8800/7200	2.5/2.1	11.4/10.3	14.2	15	310	N/A	.76	1.9	132
DMQE09K34E0	230/208	8500	9.9	4.1/4.3	11900/9700	3.4/2.8	15.3/13.9	19.1	20	310	N/A	.76	1.9	132
DMQE09K50E0	230/208	8500	9.9	4.1/4.3	17300/14200	5.0/4.1	22.0/20.2	27.8	30	310	N/A	.76	1.9	132
DMQE12K00E0	230/208	11500	9.2	5.7/6.0	N/A	N/A	N/A	8.1	15	300	N/A	.66	3.7	132
DMQE12K25E0	230/208	11500	9.2	5.7/6.0	8800/7200	2.5/2.1	11.4/10.3	14.2	15	300	N/A	.66	3.7	132
DMQE12K34E0	230/208	11500	9.2	5.7/6.0	11900/9700	3.4/2.8	15.3/13.9	19.1	20	300	N/A	.66	3.7	132
DMQE12K50E0	230/208	11500	9.2	5.7/6.0	17300/14200	5.0/4.1	22.0/20.2	27.8	30	300	N/A	.66	3.7	132
DMQE15K00E0	230/208	13100	8.5	7.0/7.4	N/A	N/A	N/A	10.0	15	300	N/A	.63	4.5	132
DMQE15K25E0	230/208	13100	8.5	7.0/7.4	8800/7200	2.5/2.1	11.4/10.3	14.2	15	300	N/A	.63	4.5	132
DMQE15K34E0	230/208	13100	8.5	7.0/7.4	11900/9700	3.4/2.8	15.3/13.9	19.1	20	300	N/A	.63	4.5	132
DMQE15K50E0	230/208	13100	8.5	7.0/7.4	17300/14200	5.0/4.1	22.0/20.2	27.8	30	300	N/A	.63	4.5	132

Time delay fuse or HACR circuit breaker
°Dry Coil

DHE Series Heat Pump LCDI Cord Connected

Model	Voltage	Cooling			Resistance Heat			Reverse Cycle Heat			Min. Circuit Amps	Fuse Amps	Indoor SCFM	NEMA Plug	S/T	Pts/hr.	Net Wt. lbs
		BTU / Hr.	EER	Amps	BTU / Hr.	kW	Amps	BTU / Hr.	Amps	COP							
DHE12K00_6	230/208	11700	9.1	6.0/6.3	N/A	N/A	N/A	10700	4.8/5.1	3.0	8.4	15	410	6-15P	.73	3.0	140
DHE12K00_7	230/208	11700	9.1	6.0/6.3	N/A	N/A	N/A	10700	4.8/5.1	3.0	8.4	20	410	6-20P	.73	3.0	140
DHE12K25_6	230/208	11700	9.1	6.0/6.3	9100/7500	2.5/2.1	11.5/10.4	10700	4.8/5.1	3.0	14.3	15	410	6-15P	.73	3.0	140
DHE12K25_7	230/208	11700	9.1	6.0/6.3	9100/7500	2.5/2.1	11.5/10.4	10700	4.8/5.1	3.0	14.3	20	410	6-20P	.73	3.0	140
DHE12K34_7	230/208	11700	9.1	6.0/6.3	12100/10000	3.4/2.8	15.4/14.0	10700	4.8/5.1	3.0	19.2	20	410	6-20P	.73	3.0	140
DHE12K34_8	230/208	11700	9.1	6.0/6.3	12200/10000	3.4/2.8	15.4/14.0	10700	4.8/5.1	3.0	19.2	30	410	6-30P	.73	3.0	140
DHE12K50_8	230/208	11700	9.1	6.0/6.3	17600/14500	5.0/4.1	22.3/20.2	10700	4.8/5.1	3.0	27.9	30	410	6-30P	.73	3.0	140

Time delay fuse or HACR circuit breaker
°Dry Coil

DHE Series Heat Pump LCDI Cord Connected

Model	Voltage	Cooling			Resistance Heat			Reverse Cycle Heat			Min. Circuit Amps	MOP Fuse Amps	Indoor SCFM	NEMA Plug	S/T	Pts/hr.	Net Wt. lbs
		BTU / Hr.	EER	Amps	BTU / Hr.	kW	Amps	BTU / Hr.	Amps	COP							
DHE12R00_0	277	11700	9.1	5.0	N/A	N/A	N/A	10700	4.1	3.0	6.6	15	410	N/A	.73	3.0	140
DHE12R00_1	277	11700	9.1	5.0	N/A	N/A	N/A	10700	4.1	3.0	6.6	15	410	7-15P	.73	3.0	140
DHE12R00_2	277	11700	9.1	5.0	N/A	N/A	N/A	10700	4.1	3.0	6.6	15	410	7-20P	.73	3.0	140
DHE12R30_0	277	11700	9.1	5.0	10700	3.0	11.4	10700	4.1	3.0	14.2	15	410	N/A	.73	3.0	140
DHE12R30_1	277	11700	9.1	5.0	10700	3.0	11.4	10700	4.1	3.0	14.2	15	410	7-15P	.73	3.0	140
DHE12R30_2	277	11700	9.1	5.0	10700	3.0	11.4	10700	4.1	3.0	14.2	15	410	7-20P	.73	3.0	140
DHE12R34_0	277	11700	9.1	5.0	12100	3.4	12.8	10700	4.1	3.0	16.0	20	410	N/A	.73	3.0	140
DHE12R34_2	277	11700	9.1	5.0	12100	3.4	12.8	10700	4.1	3.0	16.0	20	410	7-20P	.73	3.0	140
DHE12R40_0	277	11700	9.1	5.0	14200	4.0	15.0	10700	4.1	3.0	18.7	20	410	N/A	.73	3.0	140
DHE12R40_2	277	11700	9.1	5.0	14200	4.0	15.0	10700	4.1	3.0	18.7	20	410	7-20P	.73	3.0	140

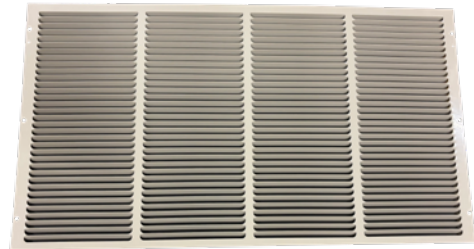
Time delay fuse or HACR circuit breaker
°Dry Coil

Accessories

- Sleeve
- Grille
- Sub-base
- Duct Kit
- Filter



ACC32AAGRILLE



ACC32SSGRILLE



ACC32SLEEVE



ACC32SUBBASE

Applied Comfort Products Carver Inc.

1210 Balmoral Rd. Cambridge, Ontario N1T 1A5.
Toll Free: 1-877-227-7822
ptacs.com

Every effort has been made to ensure descriptions are correct at the time of print. Errors and omissions excepted. REV01

