

EA

Applied Comfort

FITS **16 3/8" x 44 7/8"** WALL SLEEVE

DIRECT REPLACEMENT FOR:

EA, MEA, PMES, PMRS (McQuay, Singer, Remington)

WITH APPLICABLE ACCESSORIES, CAN ALSO REPLACE:

MQT, RS, ES, PDAE, PDHE (McQuay, Singer, Remington), ED (Islandaire), and RSEA (Ice Air)

Premium . . . meet Affordable!

ENERGY EFFICIENT -- Performance verified by 3rd party laboratory.

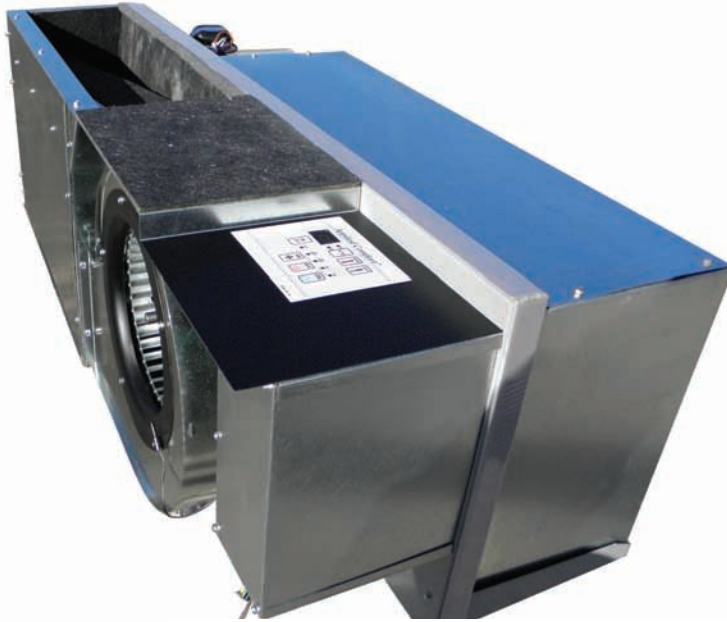
VERY QUIET -- Acoustic noise reduction materials and optimized blower designs for **unparalleled comfort**.

HIGH PERFORMANCE -- Superior high static pressure blower designs. Premium components for unmatched **reliability and durability**.

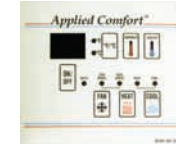
EASY INSTALLATION -- Direct replacement for EA, MEA, PMES, PMRS requiring no sleeve or louver modifications using EA-style front panel

MODERN ELECTRONIC CONTROL -- Optional Electronic Touchpad controls with EMS Connection and switchable to 24V remote wall thermostat.

*New high performance design -
Energy efficient, quiet & durable!*



Electronic



Mechanical

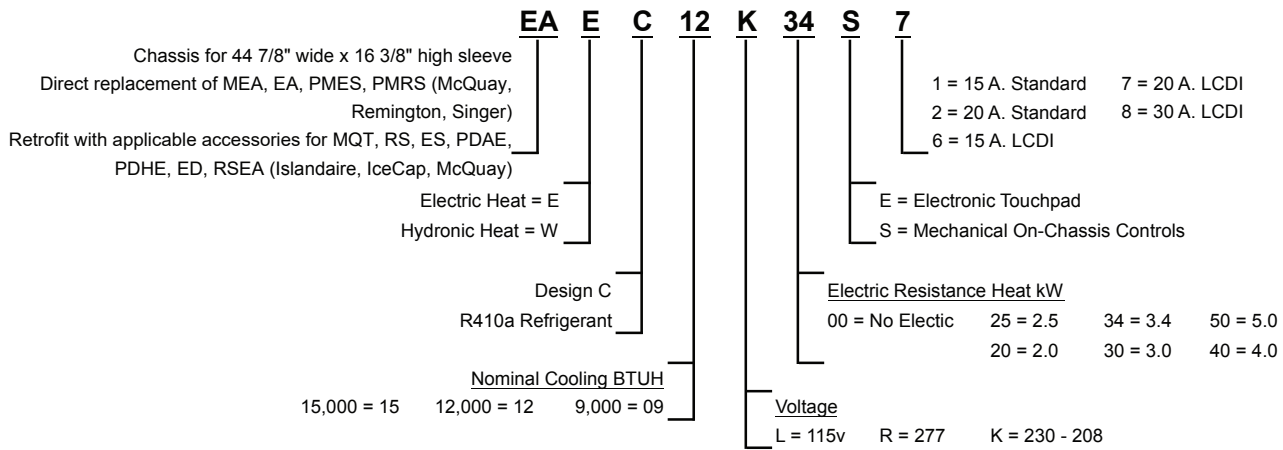


Accessories:

ACCEAFTCOVER_PREMIUM	Premium Room Front Cover- Double panel insulated--4-sided Air Return- washable aluminum filter sold separately. Can also replace aging original 4-sided Air Return EA-style front panel.
ACCEAAIRFILTER	Aluminium Mesh Filter--Fits into ACCEAFTCOVER_PREMIUM. Also fits original EA-style front.
ACCEARSREROFITPREM	Complete Retrofit Kit- for installing EA chassis in McQuay, Sing., Rem. ES/RS/MQT wall sleeve, or replacing McQuay PDAE, PDHE, Islandaire ED, or Ice Air RSEA- includes ACCEAFTCOVER_PREMIUM, ACCEAAIRFILTER, bottom close-off and fasteners.
ACCEAOUTLETGRILLE	Top Louver and Control Access Door--fits ACCEASLEEVE. Also fits McQuay, Sing., Rem. EA/RS/MQT grilles/doors.
ACCEASLEEVE	Wall sleeve- 44 7/8" wide x 16/8" high x 20" deep. Also is exact replacement for existing McQuay, Sing., Rem. EA style sleeves-- includes top louver and control door ACCEAOUTLETGRILLE. Note: Air filter and front covers sold separately.
ACCEAAGRILLE_ANODIZED	Architectural Grille-- Anodized Aluminium- Silver
ACCEAUBBASE_NOPOWER	Sub Base-- Powder-coated Black- no power. Optional-used for structural support for thin wall applications.
ACCEASUBBASE20A-277	Sub Base-- 277 Volt, 20 Amp- Powder-coated Black. Must be used for 277 Volt installations
ACCEA_EXTENDAIR	Duct assembly for ducting EA unit to one adjacent room. Includes duct plenum and 48" extension. Non-adjustable room outlet grille to be field-supplied. Not to be used with mechanical on-chassis control Applied Comfort EA models (code S).

Premium

Affordable



EAEC Air Conditioner with Electric Resistance Heat

Model	Voltage	Hz	Cooling					Resistance Heat			Min. Circuit Amps	MOP* Fuse Amps	Electrical Plug (NEMA)	Indoor CFM HIGH°	Indoor CFM LOW°	Net Wt. lbs.
			BTU/Hr.	EER	Amps	S/T	Pts./hr.	BTU/Hr.	kW	Amps						
EAEC09L00_6	115	60	9800	10.1	8.8	.75	2.2	N/A	N/A	N/A	13.6	15	#5-15P	300	240	143
EAEC12L00_7	"	"	12600	10.1	10.8	.71	3.3	N/A	N/A	N/A	16.7	20	#5-20P	330	250	"
EAEC09K00_6	230 - 208	"	9800	10.1	4.4/4.8	.75	2.2	N/A	N/A	N/A	7.2	15	#6-15P	300	240	"
EAEC09K25_6	"	"	"	"	"	"	"	8900/7500	2.5/2.1	11.4/10.3	14.3	15	"	"	"	"
EAEC09K34_7	"	"	"	"	"	"	"	12000/9900	3.4/2.8	15.3/13.4	19.1	20	#6-20P	"	"	"
EAEC09K50_8	"	"	"	"	"	"	"	17400/14300	5.0/4.1	22.2/20.2	27.8	30	#6-30P	"	"	"
EAEC12K00_6	"	"	12600	10.2	5.4/5.9	.71	3.3	N/A	N/A	N/A	8.2	15	#6-15P	330	250	"
EAEC12K25_6	"	"	"	"	"	"	"	8900/7300	2.5/2.1	11.4/10.3	14.3	15	"	"	"	"
EAEC12K34_7	"	"	"	"	"	"	"	12000/9900	3.4/2.8	15.3/13.4	19.1	20	#6-20P	"	"	"
EAEC12K50_8	"	"	"	"	"	"	"	17400/14300	5.0/4.1	22.2/20.2	27.8	30	#6-30P	"	"	"
EAEC15K00_6	"	"	15000	9.7	6.8/7.5	.65	4.8	N/A	N/A	N/A	10	15	#6-15P	"	"	"
EAEC15K25_6	"	"	"	"	"	"	"	8900/7300	2.5/2.1	11.4/10.3	14.3	15	"	"	"	"
EAEC15K34_7	"	"	"	"	"	"	"	12000/9900	3.4/2.8	15.3/13.4	19.1	20	#6-20P	"	"	"
EAEC15K50_8	"	"	"	"	"	"	"	17400/14300	5.0/4.1	22.2/20.2	27.8	30	#6-30P	"	"	"
EAEC09R00_2	277	"	9800	10.1	3.2	.75	2.2	N/A	N/A	N/A	6.1	15	#7-20P	300	240	"
EAEC09R20_2	"	"	"	"	"	"	"	7200	2.0	7.7	9.7	15	"	"	"	"
EAEC09R30_2	"	"	"	"	"	"	"	10600	3.0	11.3	14.2	15	"	"	"	"
EAEC09R40_2	"	"	"	"	"	"	"	14000	4.0	14.9	18.7	20	"	"	"	"
EAEC12R00_2	"	"	12600	10.2	4.5	.71	3.3	N/A	N/A	N/A	7.1	15	"	330	250	"
EAEC12R20_2	"	"	"	"	"	"	"	7200	2.0	7.7	9.7	15	"	"	"	"
EAEC12R30_2	"	"	"	"	"	"	"	10600	3.0	11.3	14.2	15	"	"	"	"
EAEC12R40_2	"	"	"	"	"	"	"	14000	4.0	14.9	18.7	20	"	"	"	"
EAEC15R00_2	"	"	15000	9.7	5.7	.65	4.8	N/A	N/A	N/A	8.7	15	"	"	"	"
EAEC15R20_2	"	"	"	"	"	"	"	7200	2.0	7.7	9.7	15	"	"	"	"
EAEC15R30_2	"	"	"	"	"	"	"	10600	3.0	11.3	14.2	15	"	"	"	"
EAEC15R40_2	"	"	"	"	"	"	"	14000	4.0	14.9	18.7	20	"	"	"	"

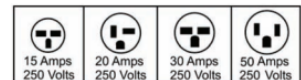
*Time Delay Fuse or HCAR Circuit Breaker ---- °Dry Coil ---- 277v models have non-LCDI cords.

EAWC Air Conditioner with Hydronic Heat

Model	Voltage	Hz	Cooling					Resistance Heat			Min. Circuit Amps	MOP* Fuse Amps	Electrical Plug (NEMA)	Indoor CFM HIGH°	Indoor CFM LOW°	Net Wt. lbs.
			BTU/Hr.	EER	Amps	S/T	Pts./hr.	BTU/Hr.	kW	Amps						
EAWC09L00_6	115	60	9800	10.1	8.8	.75	2.2	N/A	N/A	N/A	13.8	15	#5-15P	300	240	143
EAWC12L00_7	"	"	12600	10.2	10.8	.71	3.3	N/A	N/A	N/A	19.4	20	#5-20P	330	250	"
EAWC09K00_6	230 - 208	"	9800	10.1	4.4/4.8	.75	2.2	N/A	N/A	N/A	7.4	15	#6-15P	300	240	"
EAWC12K00_6	"	"	12600	10.2	5.4/5.9	.71	3.3	N/A	N/A	N/A	8.4	15	#6-15P	330	250	"
EAWC15K00_6	"	"	15000	9.7	6.8/7.5	.65	4.8	N/A	N/A	N/A	10.2	15	#6-15P	"	"	"
EAWC09R00_2	277	"	9800	10.1	3.2	.75	2.2	N/A	N/A	N/A	6.3	15	#7-20P	300	240	"
EAWC12R00_2	"	"	12600	10.2	4.5	.71	3.3	N/A	N/A	N/A	7.3	15	#7-20P	330	250	"
EAWC15R00_2	"	"	15000	9.7	5.7	.65	4.8	N/A	N/A	N/A	8.9	15	#7-20P	"	"	"

*Time Delay Fuse or HCAE Circuit Breaker ---- °Dry Coil ---- 277v models have non-LCDI cords.

Receptacle // Prise



Specifications Subject to Change Without Notice

All brands and product names are trademarks or registered trademarks of their respective owners.

