

K Series

KW (hydronic)

KE (electric)

Applied Comfort

FITS 37" WIDE X 13 15/16" SLEEVE

Premium, . . . meet Affordable!

COMPLETE REPLACEMENT FOR:
COOLING CHASSIS,
+ HEATING CHASSIS,
+ CONTROLS:

K, EK, KF, PK - McQuay®, Singer®, Remington®,
Islandaire®, Retroaire®



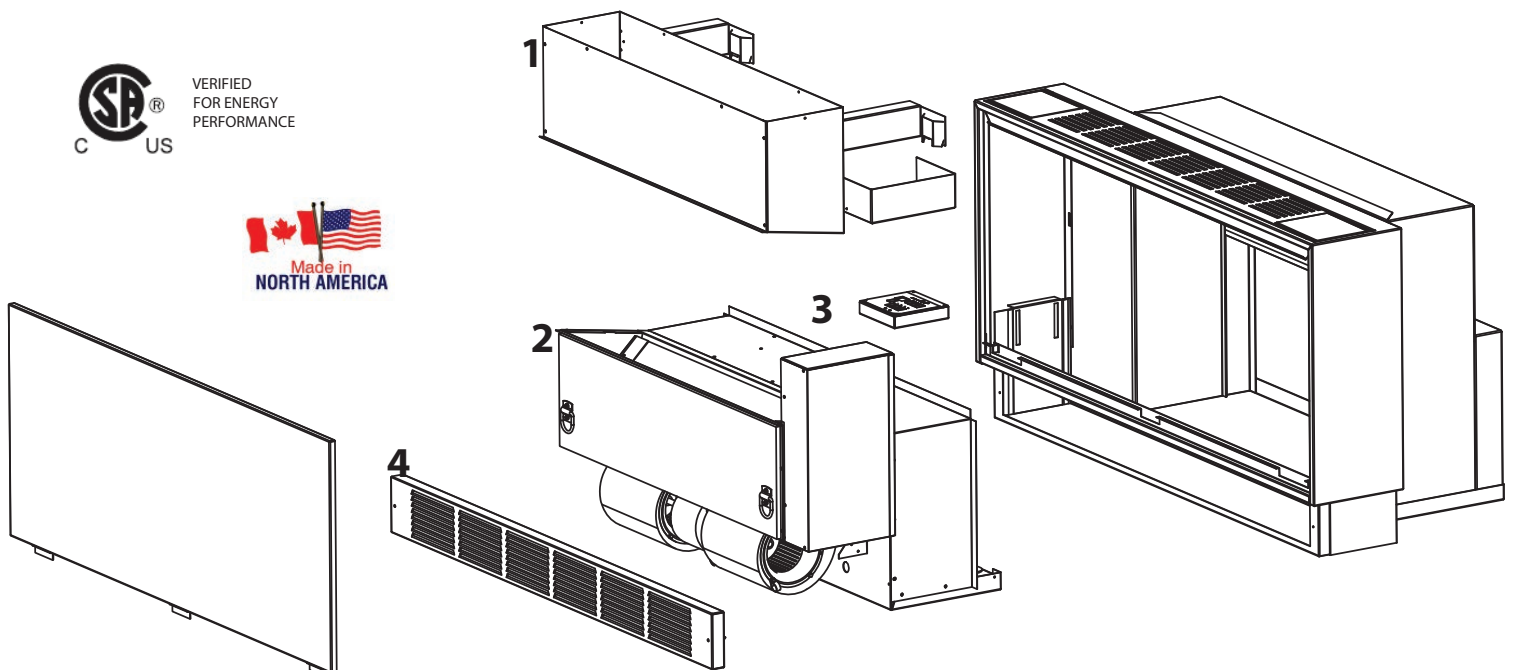
Applied Comfort's new K Chassis is a COMPLETE REPLACEMENT for ALL 3 SECTIONS of the 3-piece K Chassis.

Update the cooling, heating, and controls all at once,
and at a lower cost than the heating or cooling sections alone.

An innovative design with modern components, provides quiet comfort and class-leading energy efficiency!

Installation is Easy! --- remove the old heater section, cooling section, controls and kickplate, and then:

- 1) Slide in Applied Comfort 'air collar' or 'hydronic air collar' and secure to original sleeve.
- 2) Slide in the new Integrated Heating/Cooling/Control chassis under the collar.
- 3) Attach the Applied Comfort 'control box' using the same attachment points as the old controls.
- 4) Install the new 'kickplate grille & filter' onto the original room enclosure.

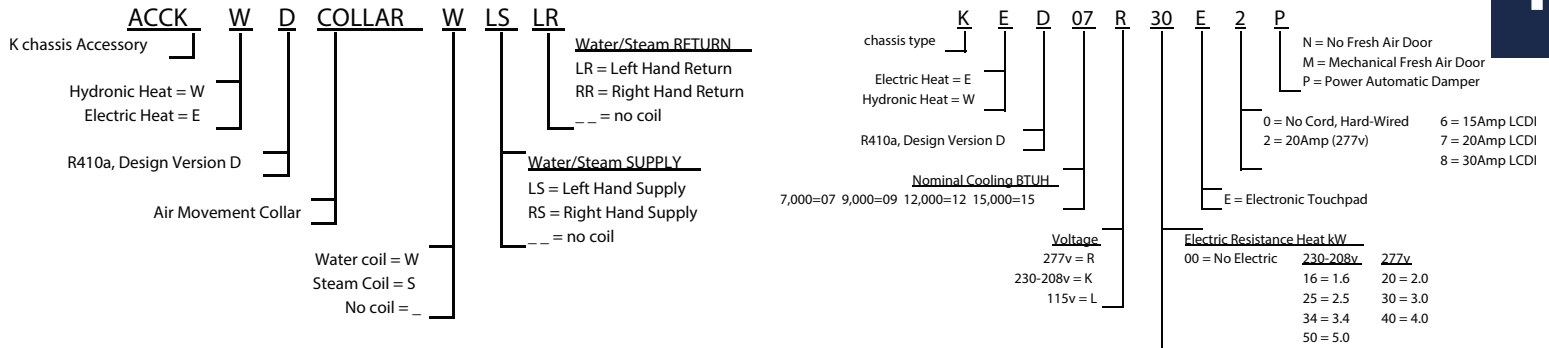


Premium

www.ptac.com

Affordable

NOTE: An Air Collar (ACCK) must be ordered along with the appropriate chassis (KED or KWD).



KED Air Conditioner with Electric Resistant Heat

Model	Power Supply	Freq.	MCA	MOP*	NEMA Plug	Cooling				Resistance Heating			Indoor SCFM	Indoor SCFM	Net Wt. Lbs
						VOLTS	Hz	AMPS	AMPS	LCDI	BTU / hr	EER			
KED07L00E6	115	60	8.6	15	5-15P	6700	10.6	6.1	0.6	N/A	N/A	N/A	310	260	128
KED09L00E6	115	60	12.4	15	5-15P	9600	10.7	8.8	1.7	N/A	N/A	N/A	370	325	"
KED12L00E7	115	60	15.4	20	5-20P	11600	9.0	12.4	2.9	N/A	N/A	N/A	370	325	"
KED07K16E7*	230-208	60	9.4	20	6-20P	6700	10.6	3.0/3.2	0.6	5700/4700	1.6/1.3	7.5/6.9	315/305	265/250	"
KED07K25E6	230-208	60	14.3	15	6-15P	6700	10.6	3.0/3.2	0.6	8900/7300	2.5/2.1	11.4/10.4	315/305	265/250	"
KED07K34E7	230-208	60	19.2	20	6-20P	6700	10.6	3.0/3.2	0.6	12000/9900	3.4/2.8	15.3/14.0	315/305	265/250	"
KED09K16E7*	230-208	60	9.4	20	6-20P	9600	10.7	4.4/4.6	1.7	5700/4700	1.6/1.3	7.5/6.9	380/365	335/315	"
KED09K25E6	230-208	60	14.3	15	6-15P	9600	10.7	4.4/4.6	1.7	8900/7300	2.5/2.1	11.4/10.4	380/365	335/315	"
KED09K34E7	230-208	60	19.2	20	6-20P	9600	10.7	4.4/4.6	1.7	12000/9900	3.4/2.8	15.3/14.0	380/365	335/315	"
KED09K50E8	230-208	60	27.9	30	6-30P	9600	10.7	4.4/4.6	1.7	17400/14300	5.0/4.1	22.3/20.3	380/365	335/315	"
KED12K16E7*	230-208	60	9.4	20	6-20P	11600	9.0	6.2/6.5	2.9	5700/4700	1.6/1.3	7.5/6.9	380/365	335/315	"
KED12K34E7	230-208	60	19.2	20	6-20P	11600	9.0	6.2/6.5	2.9	12000/9900	3.4/2.8	15.3/14.0	380/365	335/315	"
KED12K50E8	230-208	60	27.9	30	6-30P	11600	9.0	6.2/6.5	2.9	17400/14300	5.0/4.1	22.3/20.3	380/365	335/315	"
KED15K25E6	230-208	60	14.3	15	6-15P	13600	8.3	8.0/8.4	3.8	8900/7300	2.5/2.1	11.4/10.4	380/365	335/315	"
KED15K34E7	230-208	60	19.2	20	6-20P	13600	8.3	8.0/8.4	3.8	12000/9900	3.4/2.8	15.3/14.0	380/365	335/315	"
KED15K50E8	230-208	60	27.9	30	6-30P	13600	8.3	8.0/8.4	3.8	17400/14300	5.0/4.1	22.3/20.3	380/365	335/315	"
KED07R20E2	277	60	9.5	15	7-20P	6700	10.6	2.7	0.40	7000	2.0	7.6	370	325	"
KED07R30E2	277	60	14.0	15	7-20P	6700	10.6	2.7	0.40	10400	3.0	11.2	370	325	"
KED07R40E2	277	60	18.5	20	7-20P	6700	10.6	2.7	0.40	13800	4.0	14.8	370	325	"
KED09R20E2	277	60	9.5	15	7-20P	9600	10.7	3.9	1.7	7000	2.0	7.6	370	325	"
KED09R30E2	277	60	14.0	15	7-20P	9600	10.7	3.9	1.7	10400	3.0	11.2	370	325	"
KED09R40E2	277	60	18.5	20	7-20P	9600	10.7	3.9	1.7	13800	4.0	14.8	370	325	"
KED12R20E2	277	60	9.5	15	7-20P	11600	9.0	5.4	2.9	7000	2.0	7.6	370	325	"
KED12R30E2	277	60	14.0	15	7-20P	11600	9.0	5.4	2.9	10400	3.0	11.2	370	325	"
KED12R40E2	277	60	18.5	20	7-20P	11600	9.0	5.4	2.9	13800	4.0	14.8	370	325	"
KED15R20E2	277	60	9.5	15	7-20P	13600	8.3	7.0	3.8	7000	2.0	7.6	370	325	"
KED15R30E2	277	60	14.0	15	7-20P	13600	8.3	7.0	3.8	10400	3.0	11.2	370	325	"

*Time Delay Fuse or HACR Circuit Breaker
 •Dry Coil
 *Certification allows two of these units to be run off one 20 Amp circuit as cord-connected.
 Not to be used with a duct system



VERIFIED FOR ENERGY PERFORMANCE



KWD Air Conditioner with Hvdronic Heat

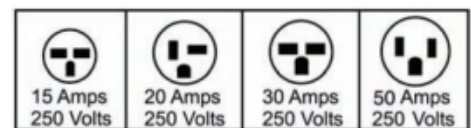
Model	Voltage	Hz	MCA	MOP*	NEMA Plug	Cooling				Resistance Heating			Indoor SCFM	Indoor SCFM	Net Wt. lbs.	
						AMPS	AMPS	LCDI	BTU / hr	EER	AMPS	S/T				Pints/hr
KWD07L00E7	115	60	8.6	20	5-20P	6700	10.6	6.1	.85	0.7	n/a	n/a	n/a	345	305	128
KWD09L00E7	"	"	12.4	"	"	9600	10.7	8.8	.80	1.7	"	"	"	"	"	"
KWD12L00E7	"	"	15.4	"	"	11600	9.0	12.4	.72	2.9	"	"	"	"	"	"
KWD07K00E7	230 - 208	"	4.2	"	6-20P	6700	10.6	3.0/3.2	.85	1.0	"	"	"	355 / 340	315 / 295	"
KWD09K00E7	"	"	5.8	"	"	9600	10.7	4.4/4.6	.80	1.7	"	"	"	"	"	"
KWD12K00E7	"	"	7.7	"	"	11600	9.0	6.2/6.5	.72	2.9	"	"	"	"	"	"
KWD15K00E7	"	"	9.4	"	"	13600	8.3	8.0/8.4	.68	3.8	"	"	"	"	"	"
KWD07R00E2	277	"	3.8	15	7-20P	6700	10.6	2.7	.88	0.50	"	"	"	345	305	"
KWD09R00E2	"	"	5.5	"	"	9600	10.7	3.9	.80	1.7	"	"	"	"	"	"
KWD12R00E2	"	"	6.5	"	"	11600	9.0	5.4	.72	2.9	"	"	"	"	"	"
KWD15R00E2	"	"	8.1	"	"	13600	8.3	7.0	.69	3.8	"	"	"	"	"	"

*Time Delay Fuse or HACR Circuit Breaker
 •Dry Coil

Model	Voltage	Hz	Hot Water Heat HIGH SPEED	Hot Water Heat LOW SPEED	Water Flow Rate	Water Pressure Drop	Steam Heat HIGH SPEED	Steam Heat LOW SPEED	Heating Current
			Btu / hr	Btu / hr	USGPM	Ft of H2O	Btu / hr	Btu / hr	Amps
KWD07L00	115	60	15100	14100	1.56	0.4	20600	19000	<1
KWD09L00	115	60	16200	15400	1.66	0.4	22000	20800	<1
KWD12L00	115	60	16200	15400	1.66	0.4	22000	20800	<1
KWD07K00	230 - 208	60	15500 / 14800	14800 / 13600	1.68 / 1.65	0.4	21000 / 20300	19900 / 18500	<1
KWD09K00	230 - 208	60	16400 / 16000	15600 / 15100	1.68 / 1.65	0.4	22300 / 21800	21100 / 20400	<1
KWD12K00	230 - 208	60	16400 / 16000	15600 / 15100	1.68 / 1.65	0.4	22300 / 21800	21100 / 20400	<1
KWD15K00	230 - 208	60	16400 / 16000	15600 / 15100	1.68 / 1.65	0.4	22300 / 21800	21100 / 20400	<1
KWD07R00	277	60	16200	15400	1.66	0.4	22000	20800	<1
KWD09R00	277	60	16200	15400	1.66	0.4	22000	20800	<1
KWD12R00	277	60	16200	15400	1.66	0.4	22000	20800	<1
KWD15R00	277	60	16200	15400	1.66	0.4	22000	20800	<1

Maximum Steam Pressure: 2 psig Maximum Water Temperature: 210 °F
 HIGH SPEED Hot Water Ratings based on ASHRAE/AHRI conditions of 65°F entering air, 200°F entering water and 180°F leaving water temperatures LOW SPEED Hot Water Ratings based on water flow rate set for HIGH SPEED rating condition.
 Steam ratings based on conditions of 65°F entering air, and 2 psig steam pressure with heat output automatically adjusting for blower speed
 NOT TO BE USED WITH A DUCT SYSTEM

Receptacle // Prise



Specifications Subject to Change Without Notice
 All brands and product names are trademarks or registered trademarks of their respective owners.