

PROPRIETARY AND CONFIDENTIAL
 THE INFORMATION CONTAINED IN THIS DRAWING IS THE SOLE PROPERTY OF <INSERT COMPANY NAME HERE>. ANY REPRODUCTION IN PART OR AS A WHOLE WITHOUT THE WRITTEN PERMISSION OF <INSERT COMPANY NAME HERE> IS PROHIBITED.

					NAME	DATE	Applied COMFORT			
					DRAWN	WWebber			16 Dec 2014	
					CHECKED		TITLE: ELECTRICAL BOX			
					ENG APPR.					
					MFG APPR.					
					Q.A.					
					MATERIAL	COMMENTS:		SIZE	DWG. NO.	REV
REV	DATE	NOTES	BY	FINISH	G			803859	00	
APPLICATION				DC	NOT SCALE DRAWING		SCALE: 1:5	WEIGHT:	SHEET 2 OF 6	

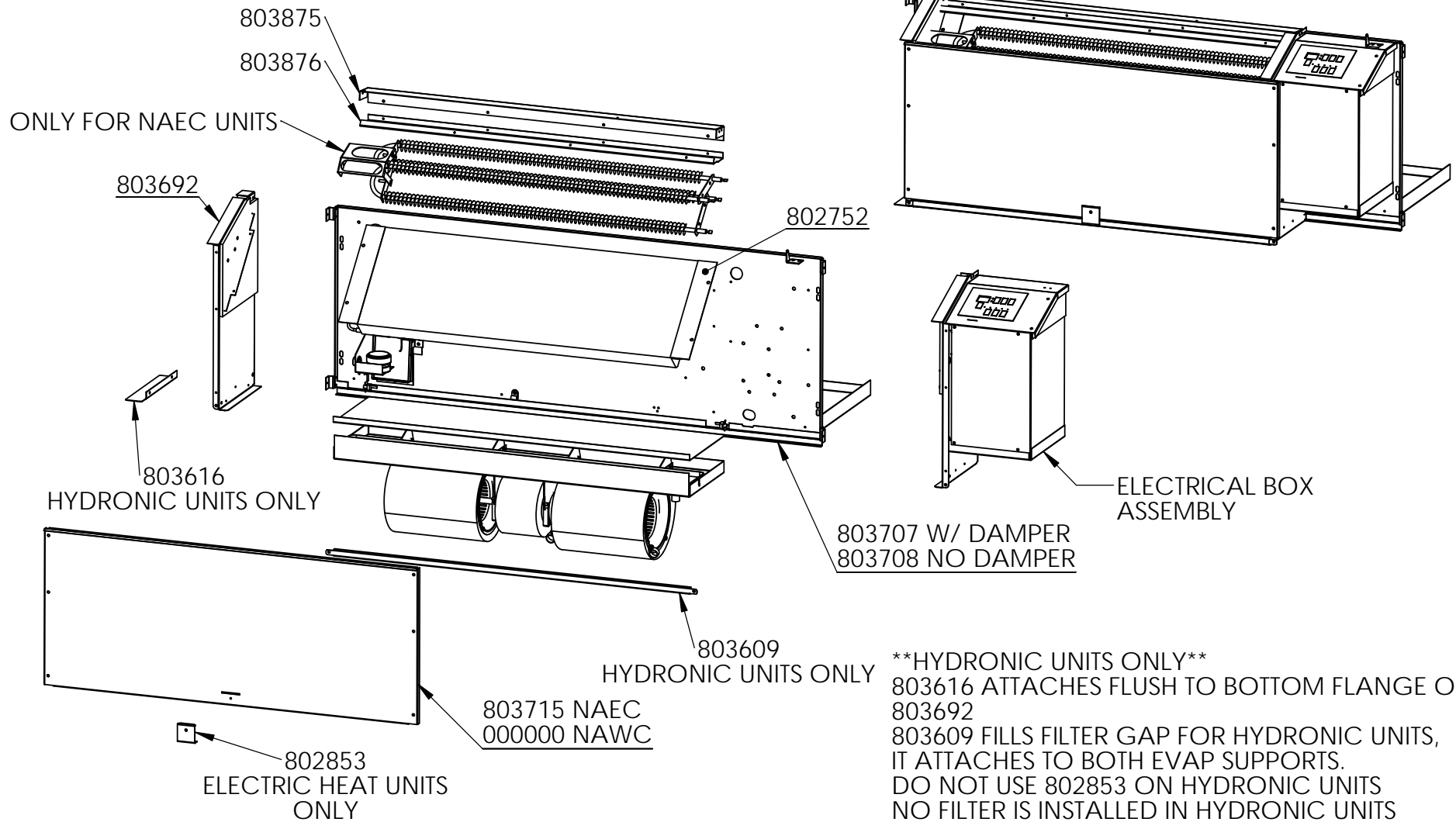
5

4

3

2

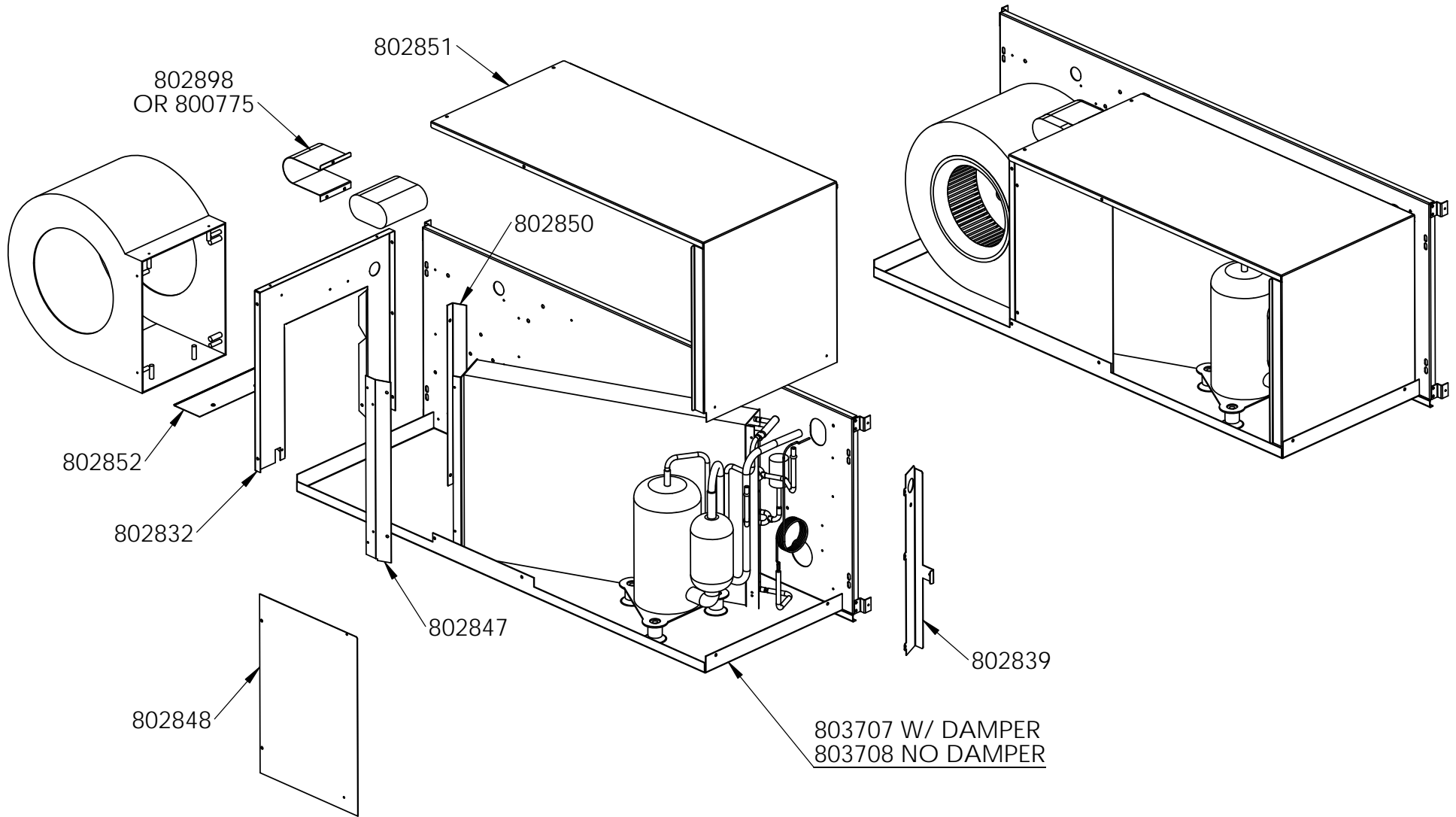
1



****HYDRONIC UNITS ONLY****
 803616 ATTACHES FLUSH TO BOTTOM FLANGE OF 803692
 803609 FILLS FILTER GAP FOR HYDRONIC UNITS, IT ATTACHES TO BOTH EVAP SUPPORTS.
 DO NOT USE 802853 ON HYDRONIC UNITS
 NO FILTER IS INSTALLED IN HYDRONIC UNITS

				NAME		DATE		Applied COMFORT	
				DRAWN WWebber		16 Dec 2014			
				CHECKED				TITLE: EVAP SECTION	
				ENG APPR					
				MFG APPR					
				Q.A.					
				MATERIAL		COMMENTS:			
				FINISH					
REV	DATE	NOTES	BY						
APPLICATION			DO NOT SCALE DRAWING						

PROPRIETARY AND CONFIDENTIAL
 THE INFORMATION CONTAINED IN THIS DRAWING IS THE SOLE PROPERTY OF <INSERT COMPANY NAME HERE>. ANY REPRODUCTION IN PART OR AS A WHOLE WITHOUT THE WRITTEN PERMISSION OF <INSERT COMPANY NAME HERE> IS PROHIBITED.



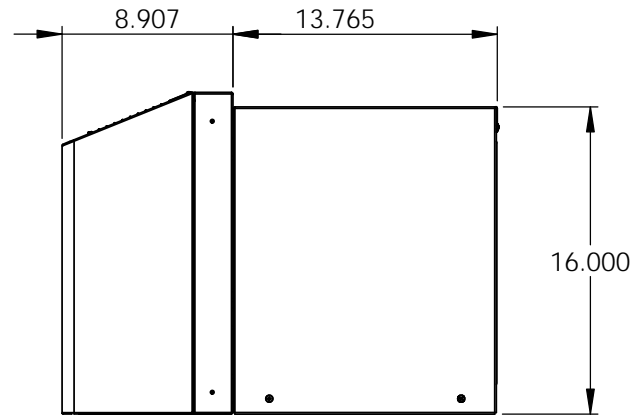
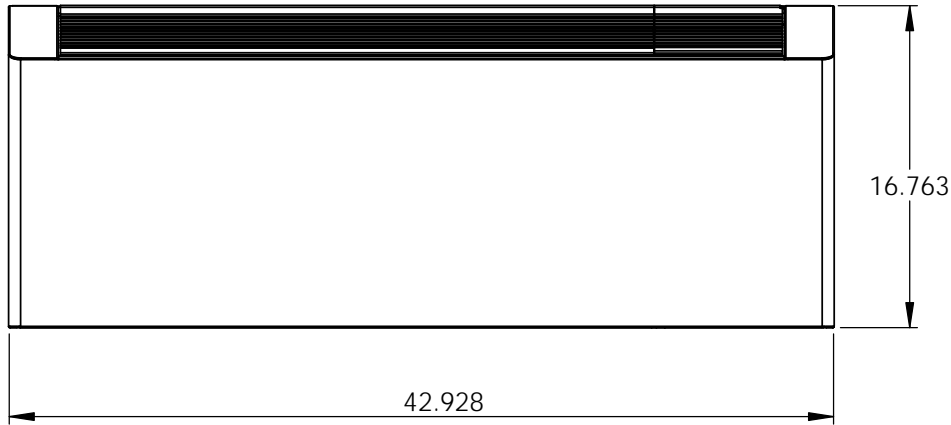
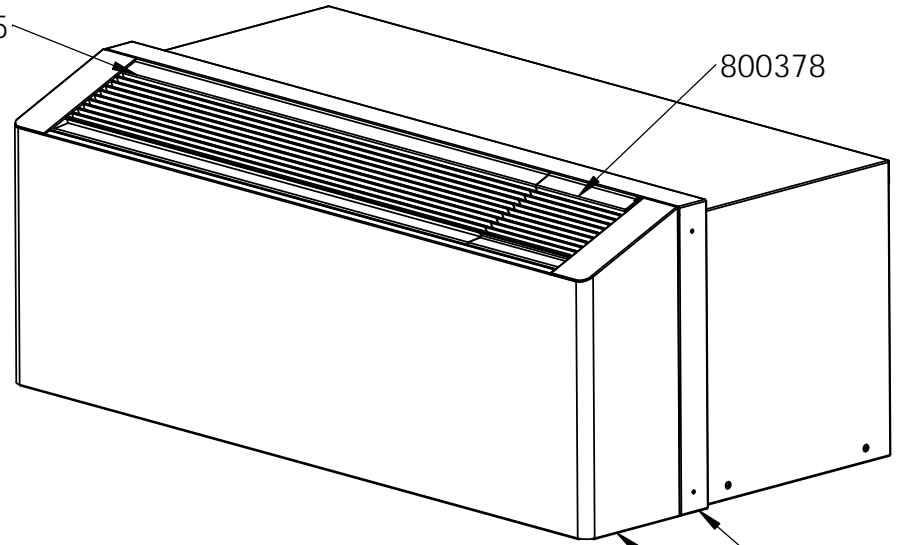
				NAME		DATE		Applied COMFORT	
				DRAWN WWebber		16 Dec 2014			
				CHECKED				TITLE: CONDENSOR SECTION	
				ENG APPR					
				MFG APPR					
				Q.A.					
				MATERIAL		COMMENTS:			
				FINISH					
REV	DATE	NOTES	BY						
APPLICATION			DO NOT SCALE DRAWING						
SIZE G		DWG. NO. 803859			REV 00				
SCALE: 1:10		WEIGHT:			SHEET 4 OF 6				

PROPRIETARY AND CONFIDENTIAL
 THE INFORMATION CONTAINED IN THIS DRAWING IS THE SOLE PROPERTY OF <INSERT COMPANY NAME HERE>. ANY REPRODUCTION IN PART OR AS A WHOLE WITHOUT THE WRITTEN PERMISSION OF <INSERT COMPANY NAME HERE> IS PROHIBITED.

DOOR SUPPORT #803721
 ATTACHES TO ELEC BOX TOP
 USING 2X 800705 BLACK OXIDE
 SCREWS

803695

800378



803718

803748

Applied
COMFORT

TITLE:

NA WITH
 ROOM ENCLOSURE

SIZE
G

DWG. NO.
 803859

REV
 00

SCALE: 1:10 WEIGHT:

SHEET 6 OF 6

PROPRIETARY AND CONFIDENTIAL

THE INFORMATION CONTAINED IN THIS
 DRAWING IS THE SOLE PROPERTY OF
 <INSERT COMPANY NAME HERE>. ANY
 REPRODUCTION IN PART OR AS A WHOLE
 WITHOUT THE WRITTEN PERMISSION OF
 <INSERT COMPANY NAME HERE> IS
 PROHIBITED.

				NAME		DATE	
				DRAWN	WWebber	16 Dec 2014	
				CHECKED			
				ENG APPR			
				MFG APPR			
				Q.A.			
				MATERIAL	COMMENTS:		
				FINISH			
REV	DATE	NOTES	BY				
APPLICATION			DO NOT SCALE DRAWING				