

**Certified Drawing --- Type: NFEC --- Date: JULY 2014 --- Applied Comfort Products Inc. --- [www.ptacs.com](http://www.ptacs.com) --- 1.877.227.7822 -- Applied Comfort Packaged Terminal Air Conditioner with Electric Resistance Heat -- 16" x 42" Model NFEC Flat Top**

### General Specifications

**Heating/Cooling Chassis.** – CSA safety verified, and 3<sup>rd</sup> party Energy Performance Verification via CSA/ETL labs. Complete air cooled refrigeration system with R-410A refrigerant, two low noise high-static pressure dual-inlet evaporator blowers, and one dual-inlet condensate blower with efficient dual-action condensate removal system. Electric resistance heat (optional) uses tube-in-coil heaters. Power cord exists from under right side.

**Digital Touchpad Control** – The NFE Digital Control is used to control the integral air conditioner and heat source via a touchpad, or optional remote 24-volt wall mounted thermostats. Chassis comes with standard 7 wire connection for thermostats; control by external thermostat is switched using dip switches.

**Wall Sleeve** – Industry standard 16" x 42", made of galvanized, phosphatized, heavy-gauge steel. Coated with electrostatically applied, baked on, industry standard beige urethane powder paint for maximum corrosion protection.

**Room Cabinet** – Integrated powder-coated beige cabinet with stamped grille powder-coated black. Enclosure completely encloses controls. Powder-coated metal front panel is removable without use of tools. Color is industry-standard beige.

**Electric heat Section** – Consists of high mass, low surface temperature, fin-tube type electric heater(s) with high limit cut-out.

**Power Cord** – LCDI power cord is supplied with 208/230V chassis, and standard non-LCDI with 277V chassis.

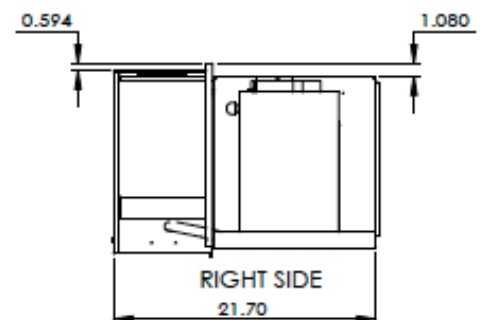
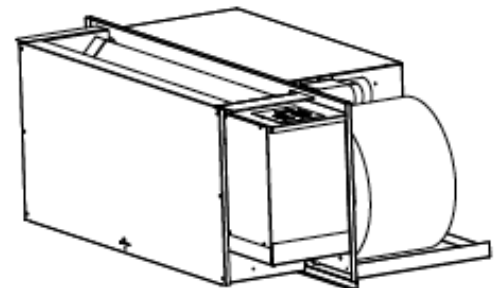
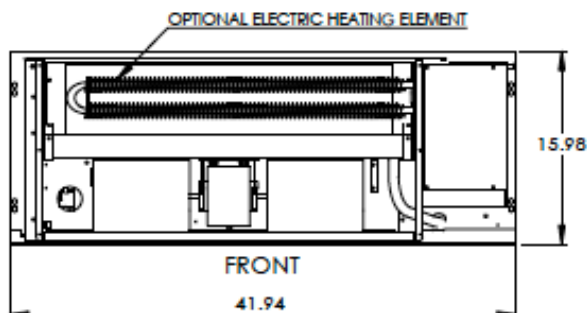
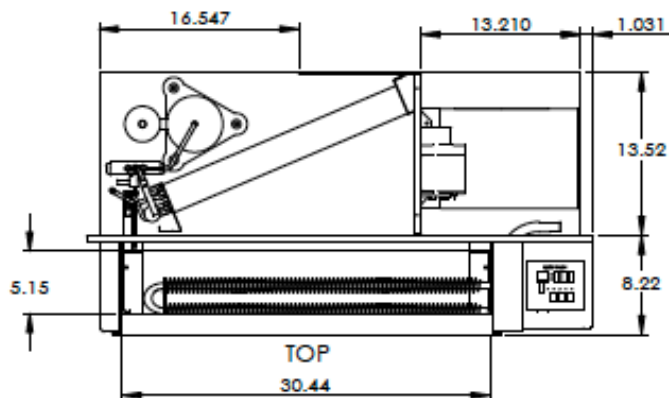
**Louvers** – Architectural type with silver powder-coating baked on. Optional stamped powder-coated aluminum grilles.

**Power Air Damper for Fresh Air (optional)** – A power motorized door for fresh air opens when evaporator blowers are energized, and automatically closes when the evaporator blower is not energized.

**4" Skirt With Outlet (optional)** – Skirt 4" high, with electrical power outlet, mounts to bottom of sleeve. Color is industry-standard beige.

**Extendaire Duct Kit (optional)** – Powder-coated beige, insulated metal ducting. The evaporator blowers are designed for high-static pressure applications making them ideal for ducting.

### Dimensional Data -- Chassis



**Certified Drawing --- Type: NFEC --- Date: JULY 2014 --- Applied Comfort Products Inc. --- [www.ptacs.com](http://www.ptacs.com) --- 1.877.227.7822 -- Applied Comfort Packaged Terminal Air Conditioner with Electric Resistance Heat -- 16" x 42" Model NFEC Flat Top**

**Performance Data – 3<sup>rd</sup> Party Lab Verified by ETL Labs**

**NFEC Air Conditioner with Electric Resistance Heat -- FLAT-TOP Configuration**

**CORD-CONNECTED. LCDI full-length Cord for connection to remote receptacle.**

| Model       | Voltage   | Hz | Min. Circuit Amps | MOP* Fuse Amps | Electrical Plug (NEMA) | Cooling |      |         |      |          | Resistance Heat |         |           | Indoor CFM HIGH* | Indoor CFM LOW* | Vent CFM | Net Wt. lbs. |
|-------------|-----------|----|-------------------|----------------|------------------------|---------|------|---------|------|----------|-----------------|---------|-----------|------------------|-----------------|----------|--------------|
|             |           |    |                   |                |                        | BTU/Hr. | EER  | Amps    | S/T  | Pts./hr. | BTU/Hr.         | kW      | Amps      |                  |                 |          |              |
| NFEC07L00E6 | 115       | 60 | 8.3               | 15             | #5-15P                 | 7300    | 11.8 | 6.4     | 0.83 | 1.1      | N/A             | N/A     | N/A       | 325              | 280             | 90       | 172          |
| NFEC09L00E6 | "         | "  | 11.9              | 15             | #5-15P                 | 9600    | 11.3 | 8.4     | 0.79 | 1.9      | N/A             | N/A     | N/A       | 380              | 335             | "        | "            |
| NFEC12L00E7 | "         | "  | 16.3              | 20             | #5-20P                 | 12600   | 10.6 | 12.0    | 0.71 | 3.3      | N/A             | N/A     | N/A       | "                | "               | "        | "            |
| NFEC07K00E6 | 230 - 208 | "  | 4.1               | 15             | #6-15P                 | 7300    | 11.8 | 3.2/3.4 | 0.79 | 1.9      | N/A             | N/A     | N/A       | 340/315          | 305/265         | "        | "            |
| NFEC07K16E6 | "         | "  | 9.2               | 15             | #6-15P                 | "       | "    | "       | "    | "        | 5700/4700       | 1.6/1.3 | 7.4/6.7   | "                | "               | "        | "            |
| NFEC07K25E6 | "         | "  | 14.2              | 15             | #6-15P                 | "       | "    | "       | "    | "        | 8900/7300       | 2.5/2.1 | 11.4/10.4 | "                | "               | "        | "            |
| NFEC07K34E7 | "         | "  | 19.1              | 20             | #6-20P                 | "       | "    | "       | "    | "        | 12000/9900      | 3.4/2.8 | 15.3/14.0 | "                | "               | "        | "            |
| NFEC09K00E6 | 230 - 208 | "  | 5.7               | 15             | #6-15P                 | 9600    | 11.3 | 4.2/4.4 | 0.71 | 3.3      | N/A             | N/A     | N/A       | 390/375          | 345/315         | "        | "            |
| NFEC09K16E6 | "         | "  | 9.2               | 15             | #6-15P                 | "       | "    | "       | "    | "        | 5700/4700       | 1.6/1.3 | 7.4/6.7   | "                | "               | "        | "            |
| NFEC09K25E6 | "         | "  | 14.2              | 15             | #6-15P                 | "       | "    | "       | "    | "        | 8900/7300       | 2.5/2.1 | 11.4/10.4 | "                | "               | "        | "            |
| NFEC09K34E7 | "         | "  | 19.1              | 20             | #6-20P                 | "       | "    | "       | "    | "        | 12000/9900      | 3.4/2.8 | 15.3/14.0 | "                | "               | "        | "            |
| NFEC09K50E8 | "         | "  | 27.9              | 30             | #6-30P                 | "       | "    | "       | "    | "        | 17400/14300     | 5.0/4.1 | 22.3/20.3 | "                | "               | "        | "            |
| NFEC12K00E6 | "         | "  | 8.1               | 15             | #6-15P                 | 12600   | 10.6 | 6.0/6.2 | 0.67 | 4.4      | N/A             | N/A     | N/A       | "                | "               | "        | "            |
| NFEC12K16E6 | "         | "  | 9.2               | 15             | #6-15P                 | "       | "    | "       | "    | "        | 5700/4700       | 1.6/1.3 | 7.4/6.7   | "                | "               | "        | "            |
| NFEC12K25E6 | "         | "  | 14.2              | 15             | #6-15P                 | "       | "    | "       | "    | "        | 8900/7300       | 2.5/2.1 | 11.4/10.4 | "                | "               | "        | "            |
| NFEC12K34E7 | "         | "  | 19.1              | 20             | #6-20P                 | "       | "    | "       | "    | "        | 12000/9900      | 3.4/2.8 | 15.3/14.0 | "                | "               | "        | "            |
| NFEC12K50E8 | "         | "  | 27.9              | 30             | #6-30P                 | "       | "    | "       | "    | "        | 17400/14300     | 5.0/4.1 | 22.3/20.3 | "                | "               | "        | "            |
| NFEC15K00E6 | "         | "  | 9.9               | 15             | #6-15P                 | 14800   | 9.8  | 7.5/7.7 | 0.67 | 4.4      | N/A             | N/A     | N/A       | "                | "               | "        | "            |
| NFEC15K16E6 | "         | "  | 9.2               | 15             | #6-15P                 | "       | "    | "       | "    | "        | 5700/4700       | 1.6/1.3 | 7.4/6.7   | "                | "               | "        | "            |
| NFEC15K25E6 | "         | "  | 14.2              | 15             | #6-15P                 | "       | "    | "       | 0.79 | 1.9      | 8900/7300       | 2.5/2.1 | 11.4/10.4 | "                | "               | "        | "            |
| NFEC15K34E7 | "         | "  | 19.1              | 20             | #6-20P                 | "       | "    | "       | "    | "        | 12000/9900      | 3.4/2.8 | 15.3/14.0 | "                | "               | "        | "            |
| NFEC15K50E8 | "         | "  | 27.9              | 30             | #6-30P                 | "       | "    | "       | "    | "        | 17400/14300     | 5/4.1   | 22.3/20.3 | "                | "               | "        | "            |
| NFEC17K00E6 | "         | "  | 12.2              | 15             | #6-15P                 | 16100   | 8.4  | 9.2/9.4 | 0.66 | 5.0      | N/A             | N/A     | N/A       | 435/425          | 395/375         | "        | "            |
| NFEC17K16E6 | "         | "  | 12.2              | 15             | #6-15P                 | "       | "    | "       | "    | "        | 5700/4700       | 1.6/1.3 | 7.4/6.7   | "                | "               | "        | "            |
| NFEC17K25E6 | "         | "  | 14.3              | 15             | #6-15P                 | "       | "    | "       | "    | "        | 8900/7300       | 2.5/2.1 | 11.4/10.4 | "                | "               | "        | "            |
| NFEC17K34E7 | "         | "  | 19.2              | 20             | #6-20P                 | "       | "    | "       | "    | "        | 12000/9900      | 3.4/2.8 | 15.3/14.0 | "                | "               | "        | "            |
| NFEC17K50E8 | "         | "  | 28.0              | 30             | #6-30P                 | "       | "    | "       | "    | "        | 17400/14300     | 5.0/4.1 | 22.3/20.3 | "                | "               | "        | "            |

**PERMANENTLY CONNECTED. SUB-BASE Connected. Non-LCDI cord plugs into hard-wired protected receptacle in Sub-base.**

| Model       | Voltage | Hz | Min. Circuit Amps | MOP* Fuse Amps | Electrical Plug (NEMA) | Cooling |      |      |      |          | Resistance Heat |     |      | Indoor CFM HIGH* | Indoor CFM LOW* | Vent CFM | Net Wt. lbs. |
|-------------|---------|----|-------------------|----------------|------------------------|---------|------|------|------|----------|-----------------|-----|------|------------------|-----------------|----------|--------------|
|             |         |    |                   |                |                        | BTU/Hr. | EER  | Amps | S/T  | Pts./hr. | BTU/Hr.         | kW  | Amps |                  |                 |          |              |
| NFEC07R00E2 | 277     | "  | 3.7               | 15             | #7-20P                 | 7300    | 11.8 | 3.0  | 0.90 | 0.7      | N/A             | N/A | N/A  | 380              | 335             | 90       | 172          |
| NFEC07R20E2 | "       | "  | 9.5               | "              | "                      | "       | "    | "    | "    | "        | 7200            | 2.0 | 7.6  | "                | "               | "        | "            |
| NFEC07R30E2 | "       | "  | 14.0              | "              | "                      | "       | "    | "    | "    | "        | 10600           | 3.0 | 11.2 | "                | "               | "        | "            |
| NFEC07R40E2 | "       | "  | 18.5              | 20             | "                      | "       | "    | "    | "    | "        | 14000           | 4.0 | 14.8 | "                | "               | "        | "            |
| NFEC09R00E2 | "       | "  | 5.4               | 15             | "                      | 9600    | 11.3 | 4.0  | 0.79 | 1.9      | N/A             | N/A | N/A  | "                | "               | "        | "            |
| NFEC09R20E2 | "       | "  | 9.5               | "              | "                      | "       | "    | "    | "    | "        | 7200            | 2.0 | 7.6  | "                | "               | "        | "            |
| NFEC09R30E2 | "       | "  | 14.0              | "              | "                      | "       | "    | "    | "    | "        | 10600           | 3.0 | 11.2 | "                | "               | "        | "            |
| NFEC09R40E2 | "       | "  | 18.5              | 20             | "                      | "       | "    | "    | "    | "        | 14000           | 4.0 | 14.8 | "                | "               | "        | "            |
| NFEC12R00E2 | "       | "  | 7.2               | 15             | "                      | 12600   | 10.6 | 5.3  | 0.71 | 3.3      | N/A             | N/A | N/A  | "                | "               | "        | "            |
| NFEC12R20E2 | "       | "  | 9.5               | "              | "                      | "       | "    | "    | "    | "        | 7200            | 2.0 | 7.6  | "                | "               | "        | "            |
| NFEC12R30E2 | "       | "  | 14.0              | "              | "                      | "       | "    | "    | "    | "        | 10600           | 3.0 | 11.2 | "                | "               | "        | "            |
| NFEC12R40E2 | "       | "  | 18.5              | 20             | "                      | "       | "    | "    | "    | "        | 14000           | 4.0 | 14.8 | "                | "               | "        | "            |
| NFEC15R00E2 | "       | "  | 8.8               | 15             | "                      | 14800   | 9.8  | 6.6  | 0.67 | 4.4      | N/A             | N/A | N/A  | "                | "               | "        | "            |
| NFEC15R20E2 | "       | "  | 9.5               | "              | "                      | "       | "    | "    | "    | "        | 7200            | 2.0 | 7.6  | "                | "               | "        | "            |
| NFEC15R30E2 | "       | "  | 14.0              | "              | "                      | "       | "    | "    | "    | "        | 10600           | 3.0 | 11.2 | "                | "               | "        | "            |
| NFEC15R40E2 | "       | "  | 18.5              | 20             | "                      | "       | "    | "    | "    | "        | 14000           | 4.0 | 14.8 | "                | "               | "        | "            |
| NFEC17R00E2 | "       | "  | 10.4              | 15             | "                      | 16100   | 8.4  | 8.1  | 0.66 | 5.0      | N/A             | N/A | N/A  | 425              | 395             | "        | "            |
| NFEC17R20E2 | "       | "  | 10.4              | "              | "                      | "       | "    | "    | "    | "        | 7200            | 2.0 | 7.6  | "                | "               | "        | "            |
| NFEC17R30E2 | "       | "  | 14.0              | "              | "                      | "       | "    | "    | "    | "        | 10600           | 3.0 | 11.2 | "                | "               | "        | "            |
| NFEC17R40E2 | "       | "  | 18.5              | 20             | "                      | "       | "    | "    | "    | "        | 14000           | 4.0 | 14.8 | "                | "               | "        | "            |

\*Time Delay Fuse or HCAR Circuit Breaker ---- \*Dry Coil ---- 277v models are permanently connected using 20amp non-LCDI cords.

Based on ASHRAE and AHRI test conditions of 95 degrees F DB / 75 degrees F WB outside, 80 degrees F DB / 67 degrees F WB inside.

Electric Resistance Heat Watts x 3.41 = Btu/h. Electric Heating Watts and Amps include Indoor Fan Motor.

Cooling Full Load Amps includes Compressor, IDF and ODF FLA's.

Electric Heat MCA, Time Delay Fuse and NEMA Receptacle data are based on 240V and 277V.

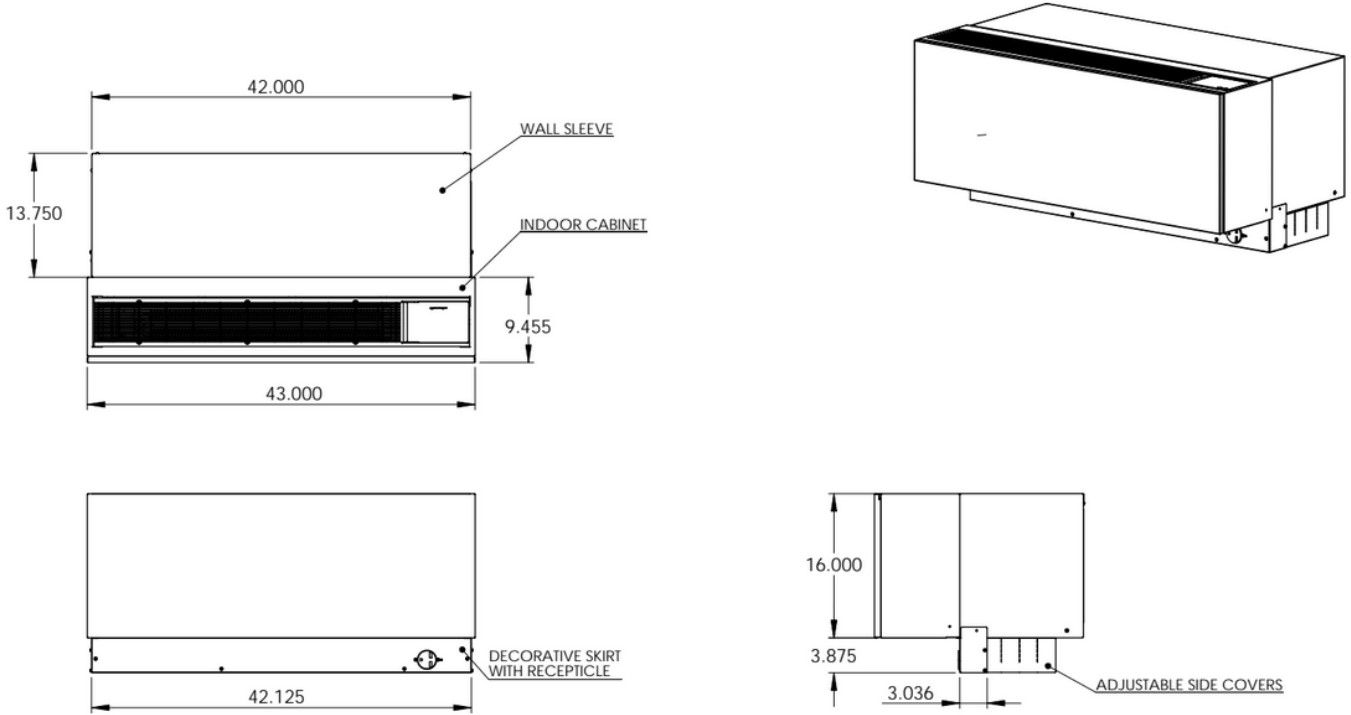
Note: For 208V installations, a 25Amp Line Fuse is acceptable.

**Physical Data**

Heating/Cooling Chassis and Front Panel.....140lbs

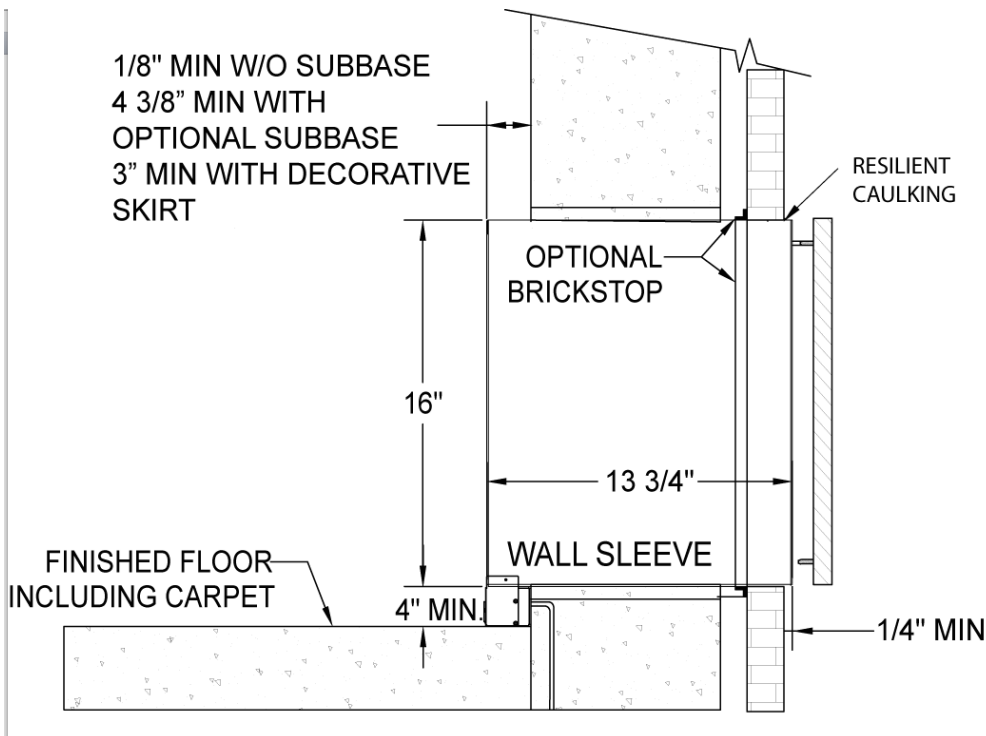
**Unit Dimensions - Wall Sleeve, Cabinet**

NOTE: Sleeve must be installed a minimum of 4" off the floor.



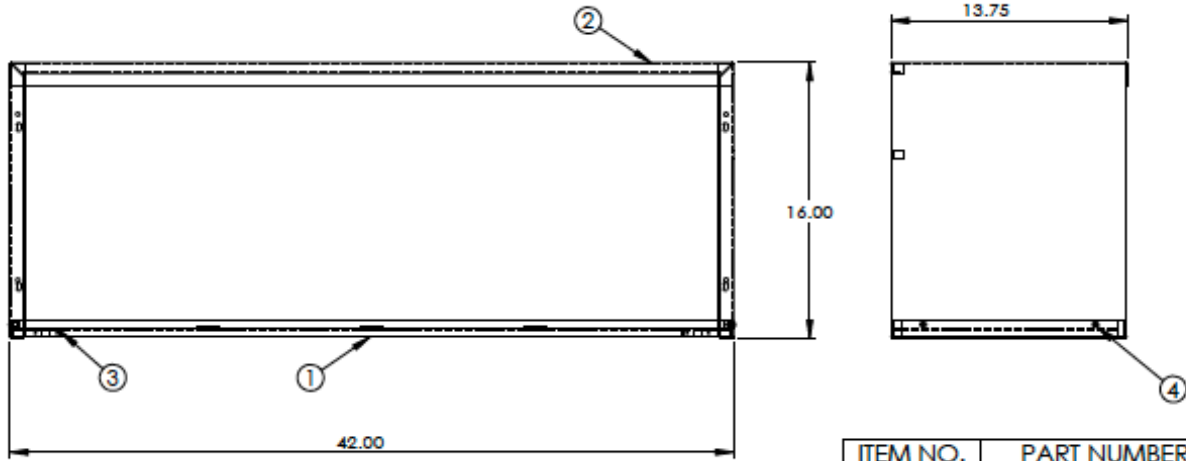
**Unit Dimensions - Wall Profile**

NOTE: Sleeve must be installed a minimum of 4" off the floor.



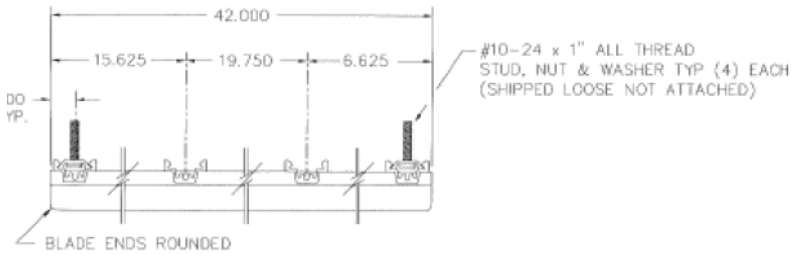
**Unit Dimensions – Sleeve**

NOTE: Sleeve must be installed a minimum of 4" off the floor.

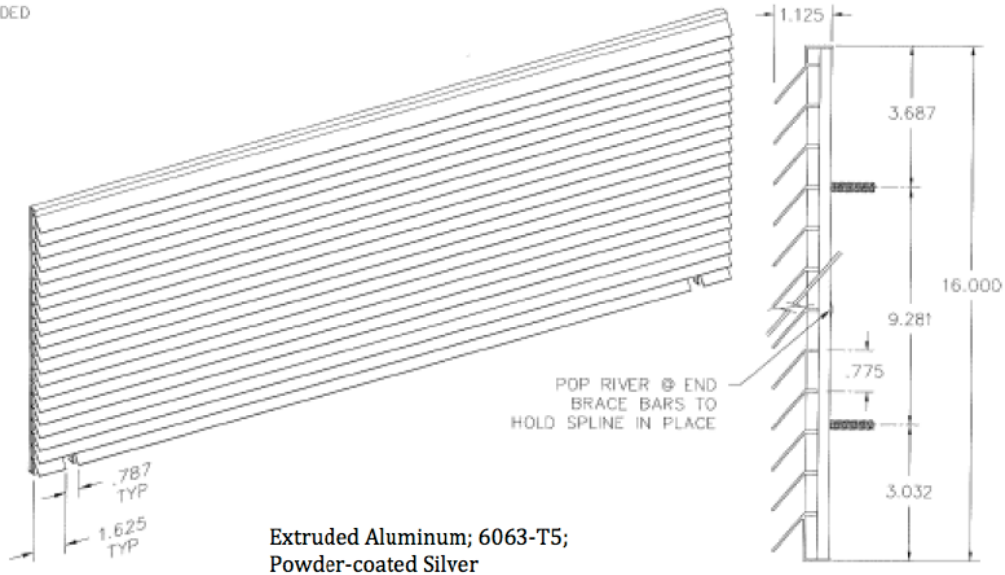


| ITEM NO. | PART NUMBER    | QTY. |
|----------|----------------|------|
| 1        | 802820         | 1    |
| 2        | 802822         | 1    |
| 3        | 802821         | 2    |
| 4        | 85589 SM SCREW | 4    |

**Unit Dimensions – Architectural Grille**

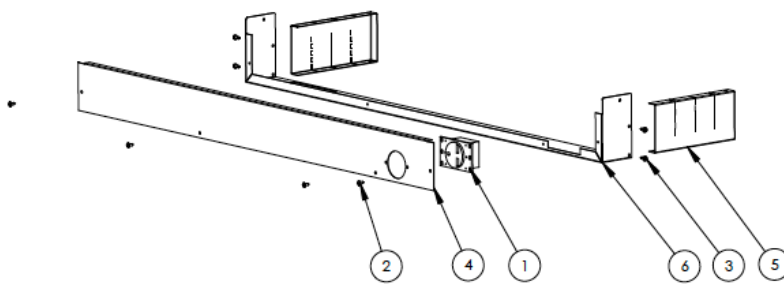
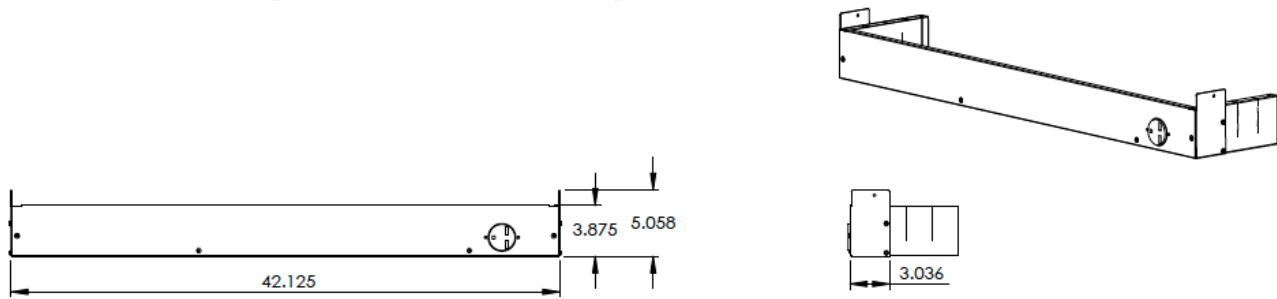


APPLIED COMFORT PRODUCTS INC.



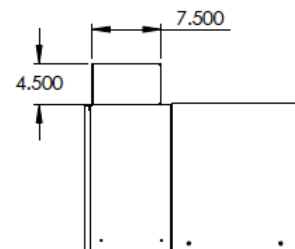
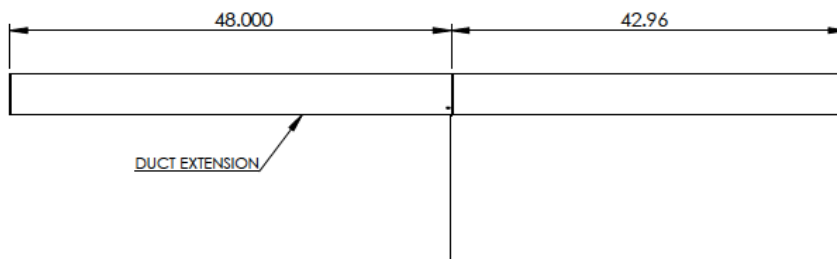
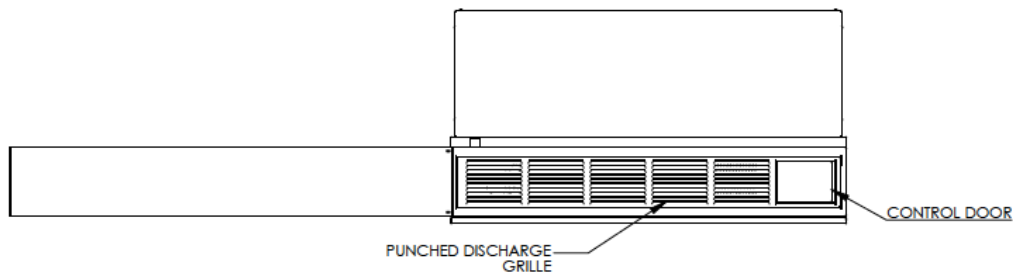
Extruded Aluminum; 6063-T5;  
Powder-coated Silver

Unit Dimensions - Optional 4" Skirt with Receptacle



| ITEM NO. | PART NUMBER | QTY. |
|----------|-------------|------|
| 1        | RECEPTICAL  | 1    |
| 2        | 85589       | 4    |
| 3        | 801677      | 4    |
| 4        | 803508      | 1    |
| 5        | 803509      | 2    |
| 6        | 803507      | 1    |

Extendaire Duct Kit



Wiring Diagram

