

Applied Comfort Packaged Terminal Air Conditioner with Hydronic Subbase Heat 16" x 42" Model NFW Flat Top Unit with R-410 Refrigerant for Hydronic Subbase.

General Specifications

Heating/Cooling Chassis. – Complete air cooled refrigeration system with R-410A refrigerant, two low noise high-static pressure dual-inlet evaporator blowers, and one dual-inlet condensate blower with efficient condensate removal system, and optional manual fresh air damper or optional automatic damper. Electric resistance heat using tube-in-coil heaters. Power cord exists from under right side.

Digital Touchpad Control – The NFW Digital Control is used to control the integral air conditioner and heat source via a touchpad, or optional remote 24-volt wall mounted thermostats.

Wall Sleeve – Industry standard 16" x 42", made of galvanized, phosphatized, heavy-gauge steel. Coated with electrostatically applied, baked on, industry standard beige urethane powder paint for maximum corrosion protection.

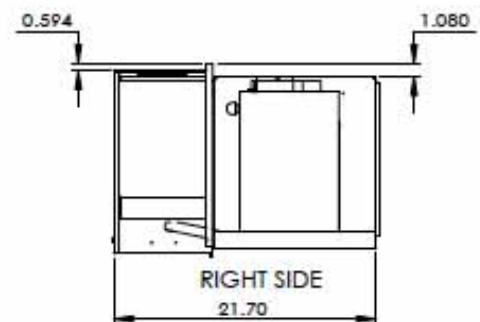
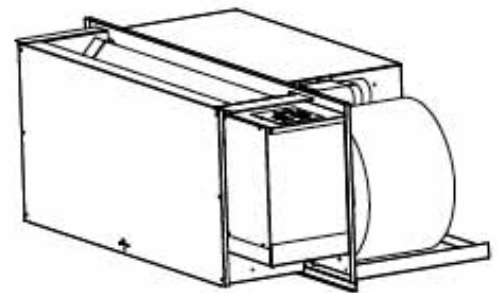
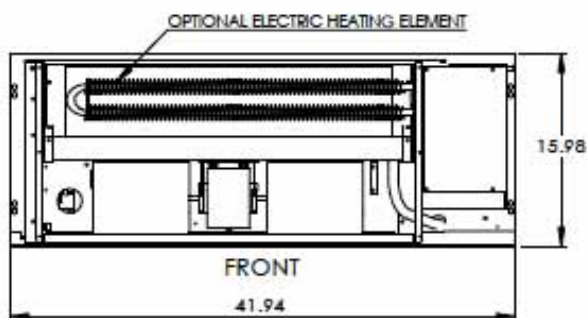
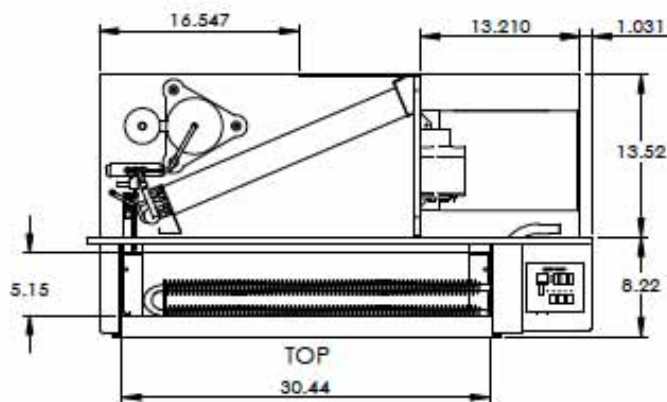
Room Cabinet – Top discharge with one piece grille. Enclosure completely encloses controls. Front panel is removable without use of tools. Color is industry-standard beige.

Hydronic Heat Control – Chassis comes with standard 7 wire connection for thermostats, and 24V wiring to control hydronic hot water or steam valves.

Louvers – Architectural type with silver powder-coating baked on.

8" Hydronic Subbase With Outlet (optional) – 8"high, contains hot water or steam coil. Available electrical power outlet, available 24V steam or hot water valves. Mounts to bottom of sleeve. Color is industry-standard beige.

Dimensional Data – Chassis (hydronic subbase and chassis cabinet NOT shown)



Certified Drawing --- Type: NFW --- Date: Aug 2104 --- Applied Comfort Products Inc.
Applied Comfort Packaged Terminal Air Conditioner with Hydronic Subbase Heat
16" x 42" Model NFW Flat Top Unit with R-410 Refrigerant for Hydronic Subbase.

Performance Data

NOTE: The Cooling Cycle Performance has been 3rd Party Lab Verified (using NFEC chassis)

NOTE: 3rd Party Lab Verification of the Hydronic Heat Performance is On-going so the Hydronic Heat data below is PRELIMINARY- THE HYDRONIC HEAT PERFORMANCE DATA PRESENTED BELOW IS BASED ON IN-HOUSE TESTING.

PERMANENTLY CONNECTED. SUB-BASE Connected. Non-LCDI cord plugs into hard-wired protected receptacle.

Model	Voltage	Hz	Min. Circuit Amps	MOP* Fuse Amps	Electrical Plug (NEMA)	Cooling					Backup Resistance Heat			Indoor CFM HIGH ²	Indoor CFM LOW ²	Vent CFM	Net Wt. lbs.
						BTU/Hr.	EER	Amps	S/T	Pts./hr.	BTU/Hr.	kW	Amps				
NFWC07L00E2	115	60	8.3	15	#5-20P	7300	11.8	6.4	0.85	1.0	N/A	N/A	N/A	310	265	90	172
NFWC09L00E2	"	"	11.9	15	"	9600	11.3	8.4	0.78	2.0	N/A	N/A	N/A	360	310	"	"
NFWC12L00E2	"	"	16.3	20	"	12600	10.6	12	0.70	3.4	N/A	N/A	N/A	"	"	"	"
NFWC07K00E2	230-208	60	4.1	15	#6-20P	7300	11.8	3.2/3.4	0.85	1.0	N/A	N/A	N/A	325/300	290/250	"	"
NFWC07K16E2	"	"	9.2	15	"	"	"	"	"	"	5700/4700	1.6/1.3	7.4/6.7	"	"	"	"
NFWC07K25E2	"	"	14.2	15	"	"	"	"	"	"	8900/7300	2.5/2.1	11.4/10.4	"	"	"	"
NFWC09K00E2	"	"	5.7	15	"	9600	11.3	4.2/4.4	0.78	2.0	N/A	N/A	N/A	370/350	325/300	"	"
NFWC09K16E2	"	"	9.2	15	"	"	"	"	"	"	5700/4700	1.6/1.3	7.4/6.7	"	"	"	"
NFWC09K25E2	"	"	14.2	15	"	"	"	"	"	"	8900/7300	2.5/2.1	11.4/10.4	"	"	"	"
NFWC09K34E2	"	"	19.1	20	"	"	"	"	"	"	12000/9900	3.4/2.8	15.3/14.0	"	"	"	"
NFWC12K00E2	"	"	8.1	15	"	12600	10.6	6.0/6.2	0.70	3.4	N/A	N/A	N/A	"	"	"	"
NFWC12K16E2	"	"	9.2	15	"	"	"	"	"	"	5700/4700	1.6/1.3	7.4/6.7	"	"	"	"
NFWC12K25E2	"	"	14.2	15	"	"	"	"	"	"	8900/7300	2.5/2.1	11.4/10.4	"	"	"	"
NFWC12K34E2	"	"	19.1	20	"	"	"	"	"	"	12000/9900	3.4/2.8	15.3/14.0	"	"	"	"
NFWC15K00E2	"	"	9.9	15	"	14800	9.8	7.5/7.7	0.66	4.5	N/A	N/A	N/A	"	"	"	"
NFWC15K16E2	"	"	9.9	15	"	"	"	"	"	"	5700/4700	1.6/1.3	7.4/6.7	"	"	"	"
NFWC15K25E2	"	"	14.2	15	"	"	"	"	"	"	8900/7300	2.5/2.1	11.4/10.4	"	"	"	"
NFWC15K34E2	"	"	19.1	20	"	"	"	"	"	"	12000/9900	3.4/2.8	15.3/14.0	"	"	"	"
NFWC17K00E2	"	"	12.2	15	"	16100	8.4	9.2/9.4	0.65	5.0	N/A	N/A	N/A	420/410	380/360	"	"
NFWC17K16E2	"	"	12.2	15	"	"	"	"	"	"	5700/4700	1.6/1.3	7.4/6.7	"	"	"	"
NFWC17K25E2	"	"	14.3	15	"	"	"	"	"	"	8900/7300	2.5/2.1	11.4/10.4	"	"	"	"
NFWC17K34E2	"	"	19.2	20	"	"	"	"	"	"	12000/9900	3.4/2.8	15.3/14.0	"	"	"	"
NFWC07R00E2	277	"	3.7	15	#7-20P	7300	11.8	3.0	0.88	0.8	N/A	N/A	N/A	360	310	"	"
NFWC07R20E2	"	"	9.5	15	"	"	"	"	"	"	7200	2.0	7.6	"	"	"	"
NFWC07R30E2	"	"	14.0	15	"	"	"	"	"	"	10600	3.0	11.2	"	"	"	"
NFWC09R00E2	"	"	5.7	15	"	9600	11.3	4.0	0.78	2.0	N/A	N/A	N/A	"	"	"	"
NFWC09R20E2	"	"	9.5	15	"	"	"	"	"	"	7200	2.0	7.6	"	"	"	"
NFWC09R30E2	"	"	14.0	15	"	"	"	"	"	"	10600	3.0	11.2	"	"	"	"
NFWC12R00E2	"	"	7.2	15	"	12600	10.6	5.3	0.70	3.4	N/A	N/A	N/A	"	"	"	"
NFWC12R20E2	"	"	9.5	15	"	"	"	"	"	"	7200	2.0	7.6	"	"	"	"
NFWC12R30E2	"	"	14.0	15	"	"	"	"	"	"	10600	3.0	11.2	"	"	"	"
NFWC15R00E2	"	"	8.9	15	"	14800	9.8	6.6	0.66	4.5	N/A	N/A	N/A	"	"	"	"
NFWC15R20E2	"	"	9.5	15	"	"	"	"	"	"	7200	2.0	7.6	"	"	"	"
NFWC15R30E2	"	"	14.0	15	"	"	"	"	"	"	10600	3.0	11.2	"	"	"	"
NFWC17R00E2	"	"	10.4	15	"	16100	8.4	8.1	0.65	5.0	N/A	N/A	N/A	410	370	"	"
NFWC17R20E2	"	"	10.4	15	"	"	"	"	"	"	7200	2.0	7.6	"	"	"	"
NFWC17R30E2	"	"	14.1	15	"	"	"	"	"	"	10600	3.0	11.2	"	"	"	"

NOTE: 115V chassis and 230-208V chassis can be built with 15Amp cords (NEMA#5-15P for 115V; #6-15P for 230-208V) as special order for models with MOP fuse amps listed above as 15.

STANDBY POWER. Separate 115V and 230-208V entering electrical services, or Separate 115V and 277V entering electrical services hard-wired to a proprietary connection system using a locking 4-pole grounded receptacle and armoured cable/plug assembly.

Model	Voltage	Hz	Min. Circuit Amps	MOP* Fuse Amps	Electrical Plug (NEMA)	Cooling					Resistance Heat			Indoor CFM HIGH ²	Indoor CFM LOW ²	Vent CFM	Net Wt. lbs.
						BTU/Hr.	EER	Amps	S/T	Pts./hr.	BTU/Hr.	kW	Amps				
NFWC07S00E0	115	60	1.1	15	N/A	7300	11.8	0.9	0.85	1.0	N/A	N/A	N/A	310	265	90	172
NFWC09S00E0	115	"	3.7	15	"	9600	11.3	2.8/3.0	0.78	2.0	"	"	"	360	310	"	"
NFWC09S25E0	115	"	1.1	15	"	"	"	0.9	"	2.0	"	"	"	"	"	"	"
NFWC09S34E0	230-208	"	5.3	15	"	"	"	3.8/4.0	"	"	8900/7300	2.5/2.1	11.4/10.4	"	"	"	"
NFWC12S00E0	115	"	1.1	15	"	"	"	0.9	"	2.0	N/A	N/A	N/A	"	"	"	"
NFWC15S00E0	230-208	"	13.8	15	"	"	"	3.8/4.0	"	"	12000/9900	3.4/2.8	15.3/14.0	"	"	"	"
NFWC15S20E0	115	"	1.1	15	"	"	"	0.9	"	2.0	"	"	"	"	"	"	"
NFWC15S30E0	230-208	"	18.6	20	"	"	"	3.8/4.0	"	"	"	"	"	"	"	"	"
NFWC17S00E0	115	"	1.1	15	"	12600	10.6	0.9	0.70	3.4	N/A	N/A	N/A	360	310	"	"
NFWC17S20E0	230-208	"	7.7	15	"	"	"	5.6/5.8	"	"	"	"	"	"	"	"	"
NFWC17S30E0	115	"	1.1	15	"	14800	9.8	0.9	0.66	4.5	"	"	"	"	"	"	"
NFWC07U00E0	230-208	"	9.5	15	"	"	"	7.1/7.3	"	"	"	"	"	"	"	"	"
NFWC09U00E0	115	"	1.2	15	"	16100	8.4	1.0	0.65	5.0	"	"	"	410	370	"	"
NFWC09U20E0	230-208	"	11.7	15	"	"	"	8.7/8.9	"	"	"	"	"	"	"	"	"
NFWC12U00E0	115	"	1.1	15	"	7300	11.8	0.9	0.85	1.0	"	"	"	310	265	"	"
NFWC12U20E0	277	"	3.4	15	"	"	"	2.6	"	"	"	"	"	"	"	"	"
NFWC15U00E0	115	"	1.1	15	"	9600	11.3	0.9	0.78	2.0	"	"	"	360	310	"	"
NFWC15U20E0	277	"	5.0	15	"	"	"	3.6	"	"	"	"	"	"	"	"	"
NFWC17U00E0	115	"	1.1	15	"	12600	10.6	0.9	0.70	3.4	"	"	"	"	"	"	"
NFWC17U20E0	277	"	6.8	15	"	"	"	4.9	"	"	"	"	"	"	"	"	"
NFWC17U30E0	115	"	1.1	15	"	14800	9.8	0.9	0.66	4.5	"	"	"	"	"	"	"
NFWC17U50E0	277	"	8.4	15	"	"	"	6.2	"	"	"	"	"	"	"	"	"
NFWC17U70E0	115	"	1.2	15	"	16100	8.4	1.0	0.65	5.0	"	"	"	"	"	"	"
NFWC17U90E0	277	"	9.9	15	"	"	"	7.7	"	"	"	"	"	"	"	"	"

NOTE that Standby Power Models can be configured with Non-Simultaneous Backup Heat for 115/230-208V as 1.6kW, 2.5kW, 3.4kW, and for 115/277V as 2.0kW, 3.0kW.

*Time Delay Fuse or HCAR Circuit Breaker --- ²Dry Coil

Note: For 208V installations, a 25Amp Line Fuse is acceptable.

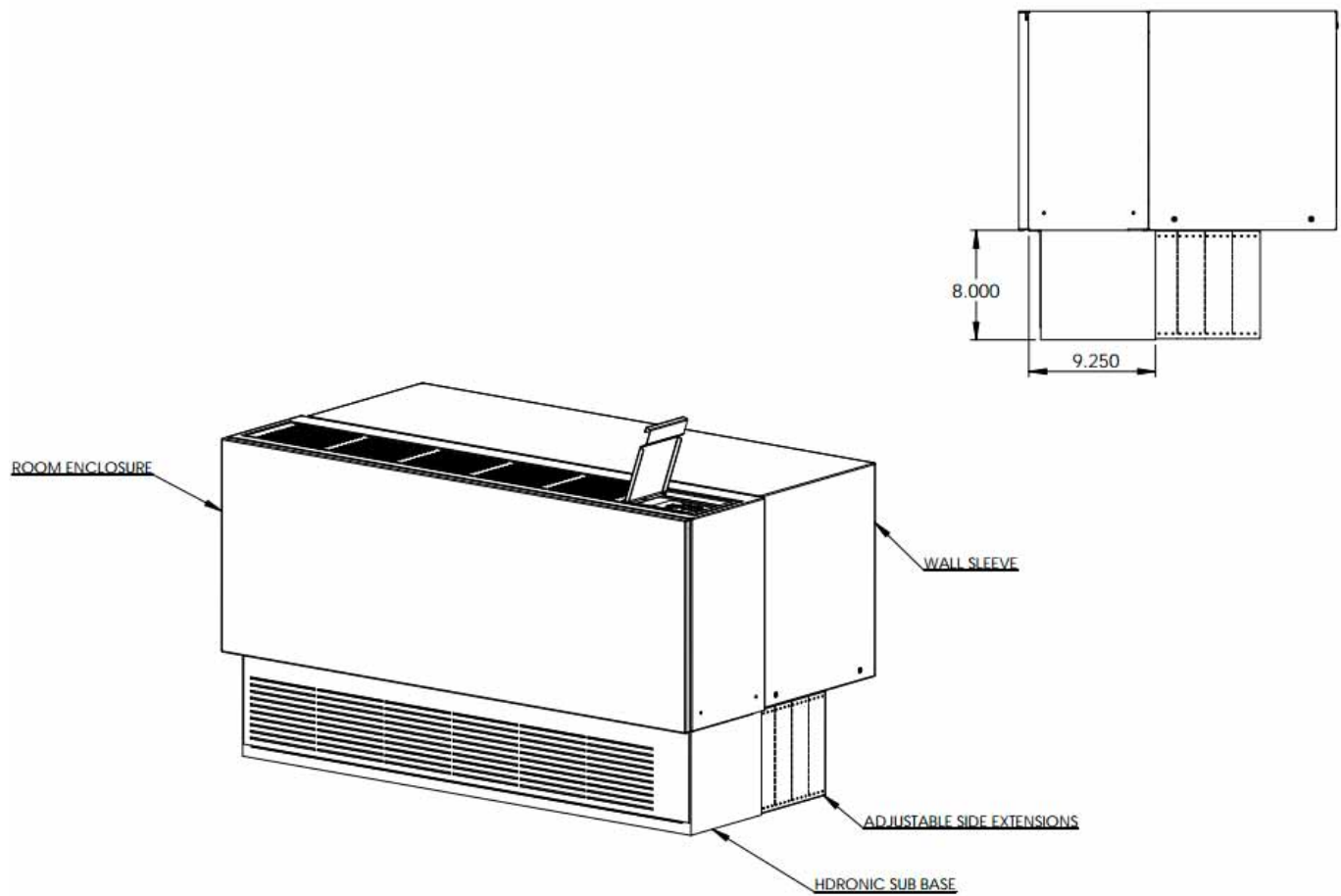
Physical Data

Heating/Cooling Chassis and Front Panel

Size Nominal 9000Btuh.....140lbs

Certified Drawing --- Type: NFW --- Date: Aug 2104 --- Applied Comfort Products Inc.
**Applied Comfort Packaged Terminal Air Conditioner with Hydronic Subbase Heat
16" x 42" Model NFW Flat Top Unit with R-410 Refrigerant for Hydronic Subbase.**

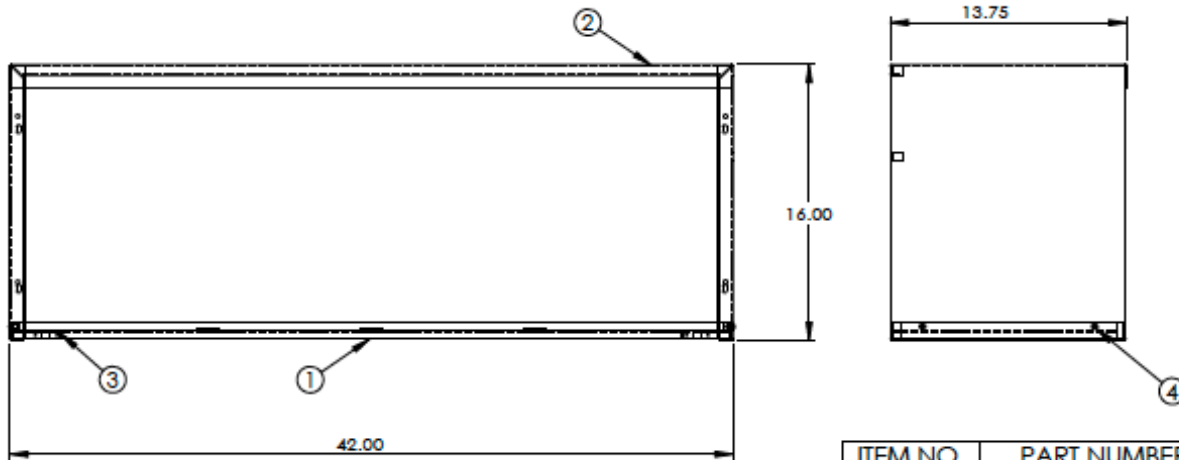
Unit Dimensions - Wall Sleeve, Integrated 43" wide Chassis Cabinet, Optional Hydronic Subbase
NOTE: Sleeve must be installed a minimum of 8" off the floor to allow space for optional hydronic subbase assembly.



Certified Drawing --- Type: NFW --- Date: Aug 2104 --- Applied Comfort Products Inc.
Applied Comfort Packaged Terminal Air Conditioner with Hydronic Subbase Heat
16" x 42" Model NFW Flat Top Unit with R-410 Refrigerant for Hydronic Subbase.

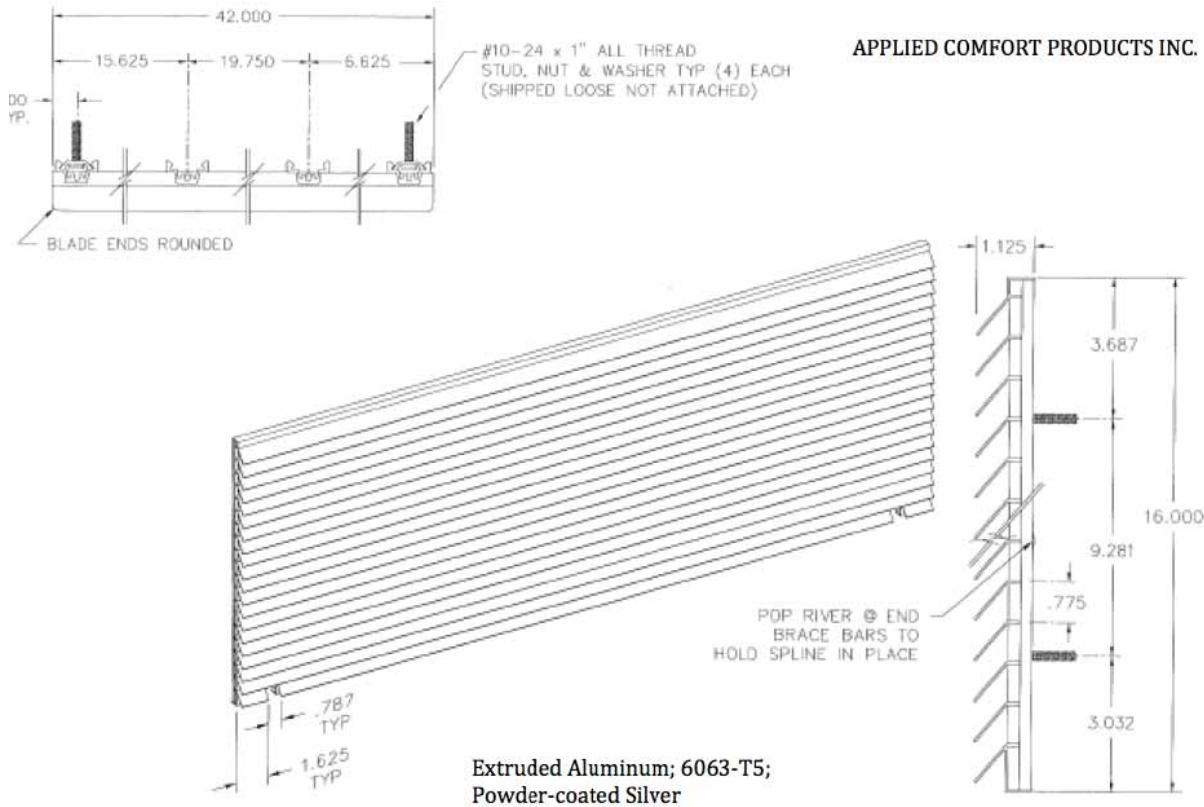
Unit Dimensions - Sleeve

NOTE: Sleeve must be installed a minimum of 8" off the floor.



ITEM NO.	PART NUMBER	QTY.
1	802820	1
2	802822	1
3	802821	2
4	85589 SM SCREW	4

Unit Dimensions - Architectural Grille



Certified Drawing --- Type: NFW --- Date: Aug 2104 --- Applied Comfort Products Inc.
 Applied Comfort Packaged Terminal Air Conditioner with Hydronic Subbase Heat
 16" x 42" Model NFW Flat Top Unit with R-410 Refrigerant for Hydronic Subbase.

Wiring Diagram - Example shown is 265V 15000 BTUH

