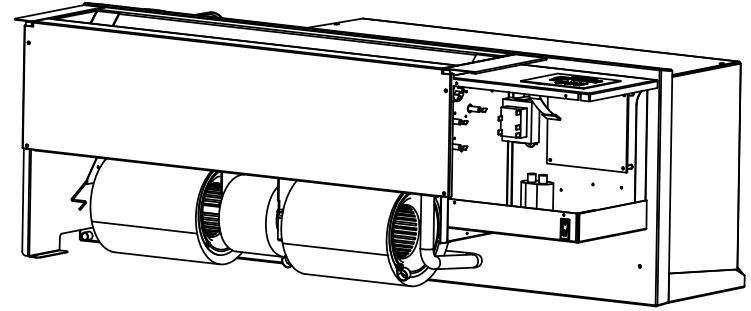
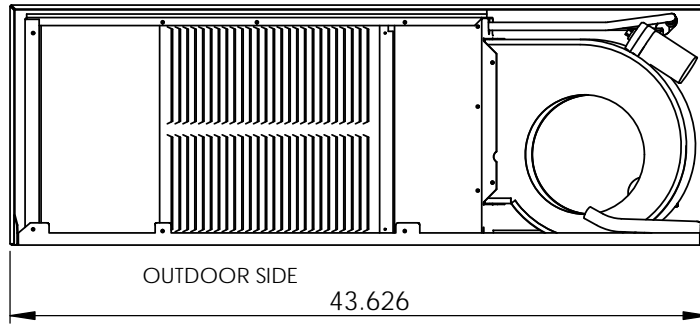


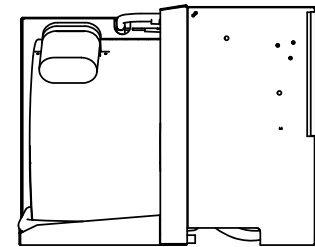
OUTDOOR



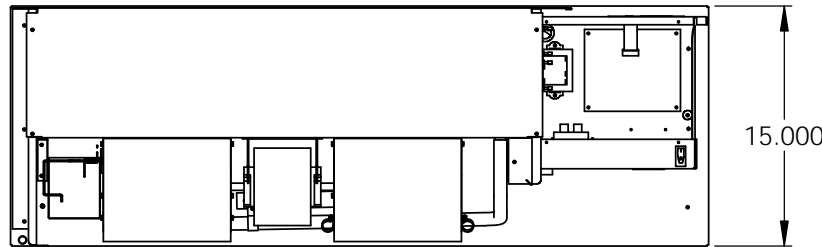
INDOOR



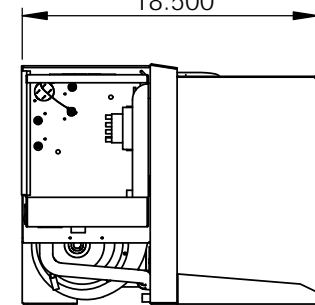
OUTDOOR SIDE
43.626



LEFT SIDE
18.500



INDOOR SIDE
15.000



RIGHT SIDE



TITLE:

RS UNIT

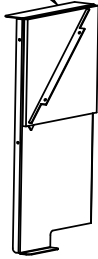
SIZE	DWG. NO.	REV
G	RS unit	00

SCALE: 1:12	WEIGHT:	SHEET 1 OF 3
-------------	---------	--------------

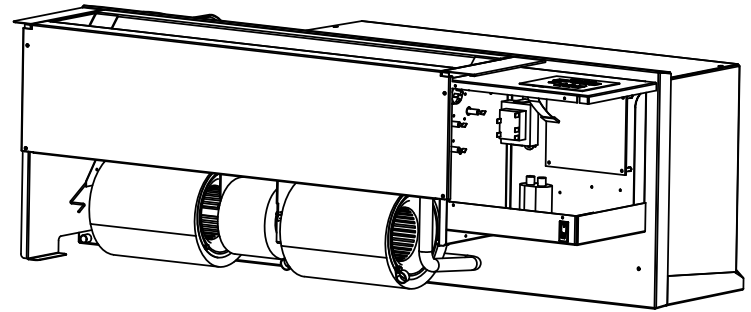
					NAME	DATE
				DRAWN	WWebber	14 Dec 2012
				CHECKED		
				ENG APPR		
				MFG APPR		
				Q.A.		
				MATERIAL	COMMENTS:	
				FINISH		
REV	DATE	NOTES	BY			
APPLICATION			DC	NOT SCALE DRAWING		

PROPRIETARY AND CONFIDENTIAL
THE INFORMATION CONTAINED IN THIS DRAWING IS THE SOLE PROPERTY OF <INSERT COMPANY NAME HERE>. ANY REPRODUCTION IN PART OR AS A WHOLE WITHOUT THE WRITTEN PERMISSION OF <INSERT COMPANY NAME HERE> IS PROHIBITED.

802967

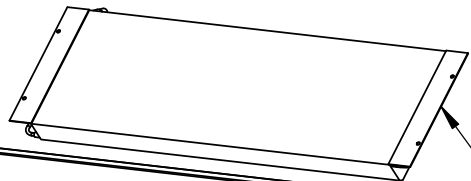


803005

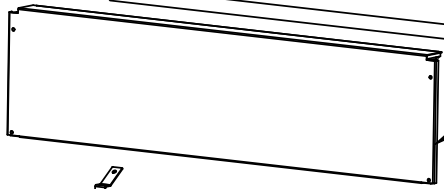


CONTROL BOX ASSEMBLY

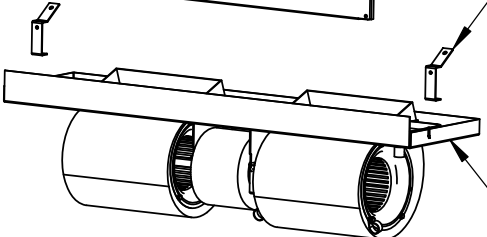
EVAP COIL



802975



41661001 X2



EVAP FAN ASSEMBLY

PROPRIETARY AND CONFIDENTIAL
 THE INFORMATION CONTAINED IN THIS DRAWING IS THE SOLE PROPERTY OF <INSERT COMPANY NAME HERE>. ANY REPRODUCTION IN PART OR AS A WHOLE WITHOUT THE WRITTEN PERMISSION OF <INSERT COMPANY NAME HERE> IS PROHIBITED.

		UNLESS OTHERWISE SPECIFIED:		NAME	DATE
		DIMENSIONS ARE IN INCHES	DRAWN		
		TOLERANCES:	CHECKED		
		FRACTIONAL ±	ENG APPR.		
		ANGULAR: MACH ± BEND ±	MFG APPR.		
		TWO PLACE DECIMAL ±	Q.A.		
		THREE PLACE DECIMAL ±	COMMENTS:		
		INTERPRET GEOMETRIC TOLERANCING PER:			
		MATERIAL			
NEXT ASSY	USED ON	FINISH			
APPLICATION		DO NOT SCALE DRAWING			

TITLE:		
EVAP BUILD		
SIZE	DWG. NO.	REV
A	RS unit	
SCALE: 1:12	WEIGHT:	SHEET 2 OF 3

5

4

3

2

1

