

# DIRECT REPLACEMENT FOR:

## RS, ES, MQT, (McQuay, Singer, Remington)



*Premium, . . . meet Affordable!*

*New high performance design!  
energy efficient! quiet! durable!*



\* 1ST YEAR PARTS AND LABOR  
2ND TO 6TH YEAR COMPRESSOR PARTS  
FREE PARTS SHIPPING  
OPTIONAL 6 YEAR COMPRESSOR LABOR

**ENERGY EFFICIENT** - Performance verified by 3rd party laboratory.

**VERY QUIET** - Acoustic noise reduction materials and optimized blower designs for unmatched comfort.

**HIGH PERFORMANCE** - Superior high static pressure blower designs. Premium components for unmatched reliability and durability.

**EASY INSTALLATION** - Direct replacement for RS, ES, MQT, requiring no sleeve or louver modifications using original RS, ES, MQT - style front panel.

**MODERN ELECTRONIC CONTROL** - Optional Electronic Touchpad controls with EMS connection and switchable to 24V remote wall thermostat.



Electronic  
or  
Mechanical  
Control



Large slow-turning outdoor blower for highest efficiency and calm low decibels inside and outside!

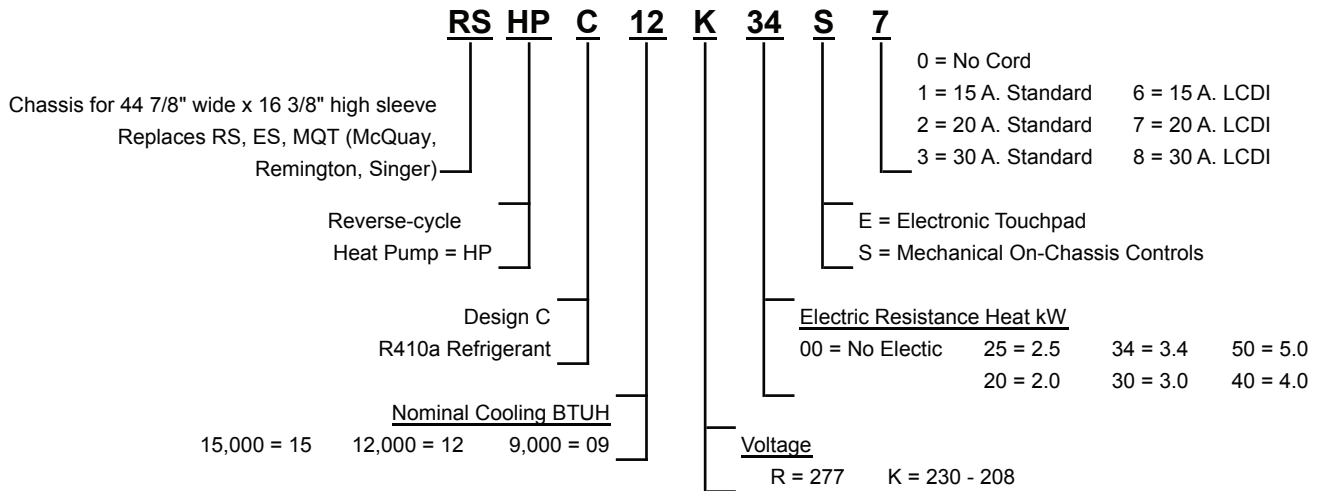


### ACCESSORIES:

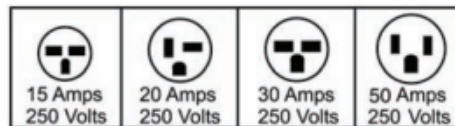
ACCRS_FTCOVER_BOTTOMFL	Room Front Cover -- single panel powder coated and insulated -- no return air facility in front panel (indoor air pulled in through sleeve bottom) -- Includes ACCRSFILTER Aluminum Filter for replacement in bottom of wall sleeve.
ACCRSEARETROFITKIT	Complete Retrofit Kit -- for installing RS/ES/MQT chassis into original McQuay, Sing., Rem. EA/MEA/PMES/PMRS sleeve - includes ACCRSFTCOVER_FRONTFL, and an open-full-width outlet grille and control door assembly to fit EA-style sleeve.
ACCRSFTCOVER_FRONTFL	Replacement front cover to refresh worn out front panel on existing EA wall sleeve that has already been properly retrofitted to use McQuay, Singer, Remington RS/ES/MQT chassis in an EA wall sleeve. Return air flows through perimeter edges of the front panel into full width air filter suited to the dual blowers of RS/ES/MQT. Powder coated and insulated. Includes ACCRSFILTER Aluminum Filter to use in front panel filter holder.
ACCRSFILTER	Aluminum Mesh Filter -- replacement filter for bottom of RS/ES/MQT Sleeves -- Also fits into ACCRSFTCOVER_FRONTFL
ACCRSSLEEVE	Wall Sleeve -- 44 7/8" wide x 16 3/8" high x 20" deep -- can also replace existing McQuay, Singer, Remington RS/ES/MQT style sleeves -- includes top louver and control door (Note: Air filter and front covers must be ordered separately).
ACCRSOUTLETGRILLE	In-room outlet grille assembly including control door. Used for in-room outlet grille replacements in older RS/ER/MQT sleeves. NOT FOR USE in Applied Comfort RS sleeves (ACCRSSLEEVE) - for that, use ACCEAGRILLE and discard filler plate.
ACCEAGRILLE_ANODIZED	Architectural Grille -- Anodized Aluminum - Silver
ACCFADOOR	Fresh Air Door Kit, manually-operated. Must be field-installed
ACCRS_ESDRAINKIT	Drain Kit- Internal for RS/ES

Premium

Affordable



### Receptacle // Prise



## RSHP Heat Pump with Electric Resistance Backup Heat

Model	Voltage	Hz	Cooling					Resistance Heat			Min. Circuit Amps	MOP* Fuse Amps	Electrical Plug (NEMA)	Indoor CFM HIGH°	Indoor CFM LOW°	Vent CFM	Net Wt. lbs.
			BTU/Hr.	EER	Amps	S/T	Pts./hr.	BTU/Hr.	kW	Amps							
RSHPC09K00	230 - 208	60	9900	11.1	4.4/4.6	.78	1.9	N/A	N/A	N/A	5.7	15	#6-15P	390/375	345/315	90	149
RSHPC09K25	230 - 208	"	9900	11.1	4.4/4.6	.78	1.9	8700/7400	2.5/2.1	11.4/10.4	14.3	15	#6-15P	390/375	345/315	90	149
RSHPC09K34	230 - 208	"	9900	11.1	4.4/4.6	.78	1.9	11800/9800	3.4/2.8	15.3/14.0	19.1	20	#6-20P	390/375	345/315	90	149
RSHPC09K50	230 - 208	"	9900	11.1	4.4/4.6	.78	1.9	17300/14200	5.0/4.1	22.3/20.3	27.9	30	#6-30P	390/375	345/315	90	149
RSHPC12K00	230 - 208	"	12900	10.2	6.1/6.3	.70	3.5	N/A	N/A	N/A	8.1	15	#6-15P	390/375	345/315	90	149
RSHPC12K25	230 - 208	"	12900	10.2	6.1/6.3	.70	3.5	8700/7400	2.5/2.1	11.4/10.4	14.3	15	#6-15P	390/375	345/315	90	149
RSHPC12K34	230 - 208	"	12900	10.2	6.1/6.3	.70	3.5	11800/9800	3.4/2.8	15.3/14.0	19.1	20	#6-20P	390/375	345/315	90	149
RSHPC12K50	230 - 208	"	12900	10.2	6.1/6.3	.70	3.5	17300/14200	5.0/4.1	22.3/20.3	27.9	30	#6-30P	390/375	345/315	90	149
RSHPC15K00	230 - 208	"	15100	9.6	7.6/7.8	.67	4.5	N/A	N/A	N/A	9.9	15	#6-15P	390/375	345/315	90	149
RSHPC15K25	230 - 208	"	15100	9.6	7.6/7.8	.67	4.5	8700/7400	2.5/2.1	11.4/10.4	14.3	15	#6-15P	390/375	345/315	90	149
RSHPC15K34	230 - 208	"	15100	9.6	7.6/7.8	.67	4.5	11800/9800	3.4/2.8	15.3/14.0	19.1	20	#6-20P	390/375	345/315	90	149
RSHPC15K50	230 - 208	"	15100	9.6	7.6/7.8	.67	4.5	17300/14200	5.0/4.1	22.3/20.3	27.9	30	#6-30P	390/375	345/315	90	149
RSHPC09R00	277	"	9900	11.1	4.3	.78	1.9	N/A	N/A	N/A	5.4	15	#7-20P	380	335	90	149
RSHPC09R20	277	"	9900	11.1	4.3	.78	1.9	7000	2.0	7.6	9.5	15	#7-20P	380	335	90	149
RSHPC09R30	277	"	9900	11.1	4.3	.78	1.9	10400	3.0	11.2	14.0	15	#7-20P	380	335	90	149
RSHPC09R40	277	"	9900	11.1	4.3	.78	1.9	13900	4.0	14.8	18.5	20	#7-20P	380	335	90	149
RSHPC12R00	277	"	12900	10.2	5.6	.70	3.5	N/A	N/A	N/A	7.2	15	#7-20P	380	335	90	149
RSHPC12R20	277	"	12900	10.2	5.6	.70	3.5	7000	2.0	7.6	9.5	15	#7-20P	380	335	90	149
RSHPC12R30	277	"	12900	10.2	5.6	.70	3.5	10400	3.0	11.2	14.0	15	#7-20P	380	335	90	149
RSHPC12R40	277	"	12900	10.2	5.6	.70	3.5	13900	4.0	14.8	18.5	20	#7-20P	380	335	90	149
RSHPC15R00	277	"	15100	9.6	7.0	.67	4.5	N/A	N/A	N/A	8.8	15	#7-20P	380	335	90	149
RSHPC15R20	277	"	15100	9.6	7.0	.67	4.5	7000	2.0	7.6	9.5	15	#7-20P	380	335	90	149
RSHPC15R30	277	"	15100	9.6	7.0	.67	4.5	10400	3.0	11.2	14.0	15	#7-20P	380	335	90	149
RSHPC15R40	277	"	15100	9.6	7.0	.67	4.5	13900	4.0	14.8	18.5	20	#7-20P	380	335	90	149

\*Time Delay Fuse or HCAR Circuit Breaker ---- °Dry Coil ---- 277v models are permanently connected using 20amp non-LCDI cords.

Specifications Subject to Change Without Notice  
All brands and product names are trademarks or registered trademarks of their respective owners.