

# S Series

RMS  
RKs  
CMs  
--S

FITS 36" WIDE X 16" SLEEVE

## RM<sub>s</sub>

SLIDE IN REPLACEMENT FOR:

**RM** Models - Cool Heat®, Islandaire®, ZoneAire®  
TPI® Ra-Matic

## RK<sub>s</sub>

SLIDE IN REPLACEMENT FOR:

**RSK, RK** Models - IceCap / IceAir®, Islandaire®

## CM<sub>s</sub>

SLIDE IN REPLACEMENT FOR:

**Climate Master 702, 703 & 704** Models  
- Friedrich®, Weil-McLain®, ZoneAire®

**CM** Models - Fedders Islandaire, Islandaire®

## --S

SLIDE IN REPLACEMENT FOR:

**SC** Models - ZoneAire®, Applied Comfort®  
**SEA, SHA** Models - Heil-Quaker®, ZoneAire®  
**HQ,**  
Embassy® Weathertwin  
Sears® 867 Models

# Applied Comfort

## Premium, meet Affordable !



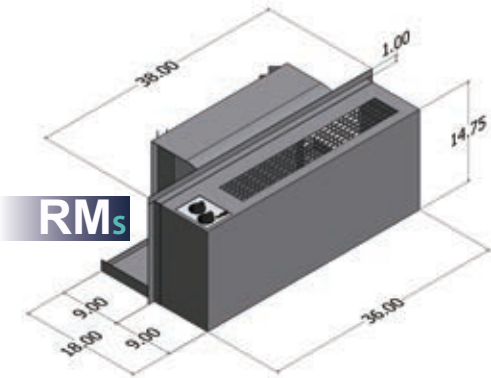
electronic  
or  
mechanical  
control



Our design engineers use only Premium UL Category 1 components, and our production team conduct rigorous QA testing on each unit to ensure **unmatched reliability & long service life.**

Each design is optimized for energy efficiency and then subjected to 3rd party laboratory testing to **ensure class-leading performance, safety, low operating costs, and a product that you can trust !**

Engineered and built in North America since 1994 !



RM<sub>s</sub>

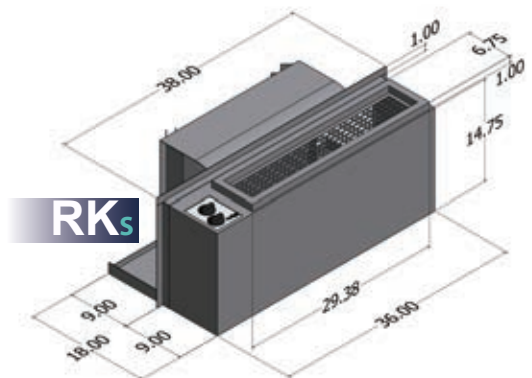
### 2 CONTROL OPTIONS:

#### Mechanical

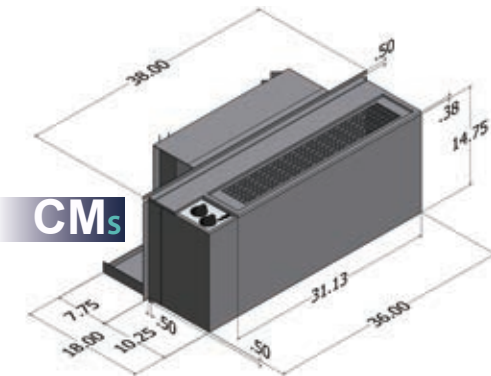
- on-chassis controls
- selectable 3 speed room fan control
- (optional) mechanical fresh air door
- on chassis temperature control
- no remote thermostat connection

#### Electronic Touchpad

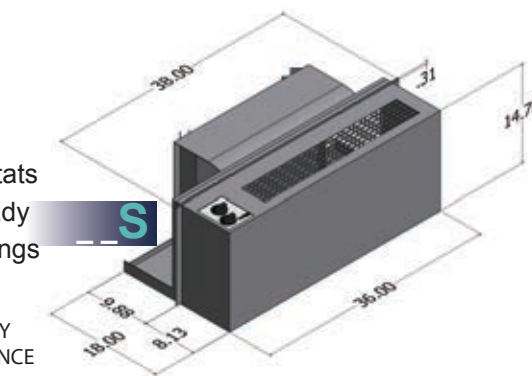
- on-chassis touchpad
- large LED readout
- two speed room fan control
- electronic temperature limiting
- switchable to 24v remote for connection to wired or wireless thermostats
- EMS -- energy management system ready
- fresh air door eliminated for energy savings



RK<sub>s</sub>



CM<sub>s</sub>



--S

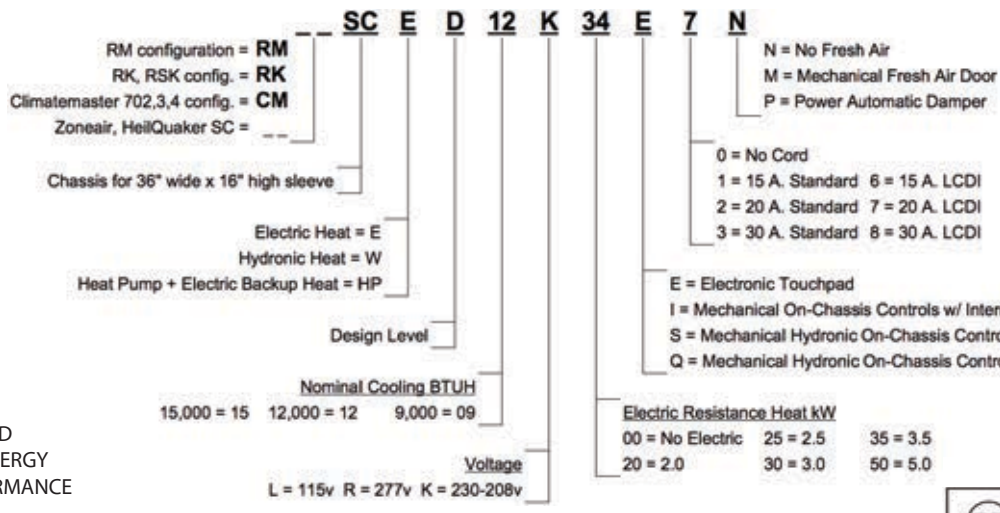


VERIFIED  
FOR ENERGY  
PERFORMANCE

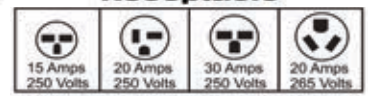
Premium

www.ptacs.com

Affordable



**Receptacle**



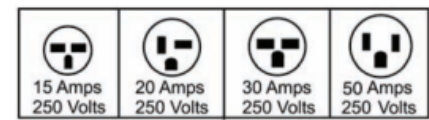
SCED Air Conditioner with Electric Resistance Heat  
 SCHPC Heat Pump with Electric Resistance Backup Heat  
 SCWD Air Conditioner with Hydronic Heat

| Model  | Voltage   | Hz | Cooling |      |         |     | Reverse-Cycle Heat |        | Resistance Heat |             |         | Min. Circuit Amps | MOP* Fuse Amps | Electrical Plug (NEMA) | Indoor CFM HIGH* | Indoor CFM LOW* | Vent** CFM | Net Wt. lbs. | Ship Wt. lbs. |      |
|--|-----------|----|---------|------|---------|-----|--------------------|--------|-----------------|-------------|---------|-------------------|----------------|------------------------|------------------|-----------------|------------|--------------|---------------|------|
|  |           |    | BTU/Hr  | EER  | Amps    | S/T | Pints/Hr           | BTU/Hr | COP             | BTU/Hr      | kW      |                   |                |                        |                  |                 |            |              |               | Amps |
| SCED09L00  | 115       | 60 | 9700    | 11.1 | 8.6     | .79 | 1.9                | N/A    | N/A             | N/A         | N/A     | N/A               | 12.2           | 15                     | 5-15P            | 380             | 335        | 90           | 126           | 135  |
| SCED12L00  | "         | "  | 11500   | 9.5  | 11.6    | .72 | 3.0                | "      | "               | "           | "       | "                 | 15.4           | 20                     | 5-20P            | "               | "          | "            | "             | "    |
| SCED09K00  | 230 - 208 | 60 | 9700    | 11.1 | 4.3/4.5 | .79 | 1.9                | N/A    | N/A             | N/A         | N/A     | N/A               | 5.7            | 15                     | 6-20P            | 390/375         | 345/315    | "            | "             | "    |
| SCED09K25  | "         | "  | "       | "    | "       | "   | "                  | "      | "               | 8900/7300   | 2.5/2.1 | 11.6/10.5         | 14.4           | "                      | "                | "               | "          | "            | "             | "    |
| SCED12K34  | "         | "  | 11500   | 9.5  | 5.8/6.1 | .72 | 3.0                | "      | "               | 12000/9900  | 3.4/2.8 | 15.5/14.1         | 19.3           | 20                     | "                | "               | "          | "            | "             | "    |
| SCED15K50  | "         | "  | 13500   | 8.5  | 7.5/8.1 | .68 | 4.0                | "      | "               | 17400/14300 | 5.0/4.1 | 22.5/20.4         | 28.0           | 30                     | 6-30P            | "               | "          | "            | "             | "    |
| SCED09R00  | 277       | 60 | 9700    | 11.1 | 3.8     | .79 | 1.9                | N/A    | N/A             | N/A         | N/A     | N/A               | 5.4            | 15                     | 7-20P            | 380             | 335        | "            | "             | "    |
| SCED09R20  | "         | "  | "       | "    | "       | "   | "                  | "      | "               | 7200        | 2.0     | 8.0               | 9.9            | "                      | "                | "               | "          | "            | "             | "    |
| SCED12R30  | "         | "  | 11500   | 9.5  | 5.3     | .72 | 3.0                | "      | "               | 10600       | 3.0     | 11.6              | 14.4           | "                      | "                | "               | "          | "            | "             | "    |
| SCED15R40  | "         | "  | 13500   | 8.5  | 6.8     | .68 | 4.0                | "      | "               | 14000       | 4.0     | 15.2              | 19.0           | 20                     | "                | "               | "          | "            | "             | "    |
| NOTE re SCED: 0.0, 2.5, 3.4 and 5.0kW are available on all 9, 12, 15000btuh 230-208v, 0.0, 2.0, 3.0, 4.0 are available on all 9, 12, 15000btuh 277v  |           |    |         |      |         |     |                    |        |                 |             |         |                   |                |                        |                  |                 |            |              |               |      |
| SCHPC12K00   | 230 - 208 | 60 | 11500   | 9.5  | 5.9/6.2 | .75 | 2.8                | 12300  | 3.3             | N/A         | N/A     | N/A               | 8.1            | 15                     | 6-20p            | 390/375         | 345/315    | "            | 126           | 135  |
| SCHPC12K25   | "         | "  | "       | "    | "       | "   | "                  | "      | "               | 8700/7400   | 2.5/2.1 | 11.6/10.5         | 14.4           | "                      | "                | "               | "          | "            | "             | "    |
| SCHPC12K34   | "         | "  | "       | "    | "       | "   | "                  | "      | "               | 11800/9800  | 3.4/2.8 | 15.5/14.1         | 19.3           | 20                     | "                | "               | "          | "            | "             | "    |
| SCHPC15K50   | "         | "  | 14400   | 9.4  | 7.6/8.0 | .68 | 4.3                | 15200  | 3.1             | 17300/14200 | 5.0/4.1 | 22.5/20.4         | 28.0           | 30                     | 6-30p            | "               | "          | "            | "             | "    |
| SCHPC12R00   | 277       | 60 | 11500   | 9.5  | 5.4     | .75 | 2.8                | 12300  | 3.3             | N/A         | N/A     | N/A               | 6.8            | 15                     | 7-20p            | 380             | 335        | "            | "             | "    |
| SCHPC12R20   | "         | "  | "       | "    | "       | "   | "                  | "      | "               | 7000        | 2.0     | 8.0               | 9.9            | "                      | "                | "               | "          | "            | "             | "    |
| SCHPC12R30   | "         | "  | "       | "    | "       | "   | "                  | "      | "               | 10400       | 3.0     | 11.6              | 14.4           | "                      | "                | "               | "          | "            | "             | "    |
| SCHPC15R40   | "         | "  | 14400   | 9.4  | 6.7     | .68 | 4.3                | 15200  | 3.1             | 13900       | 4.0     | 15.2              | 19.0           | 20                     | "                | "               | "          | "            | "             | "    |
| NOTE re SCHPC: 0.0, 2.5, 3.4 and 5.0kW are available on all 9, 12, 15000btuh 230-208v, 0.0, 2.0, 3.0, 4.0 are available on all 9, 12, 15000btuh 277v |           |    |         |      |         |     |                    |        |                 |             |         |                   |                |                        |                  |                 |            |              |               |      |
| SCWD09L00  | 115       | 60 | 9700    | 11.1 | 8.6     | .79 | 1.9                | N/A    | N/A             | N/A         | N/A     | N/A               | 12.2           | 15                     | 5-15P            | 360             | 310        | "            | 126           | 135  |
| SCWD12L00  | "         | "  | 11500   | 9.5  | 11.6    | .72 | 3.0                | "      | "               | "           | "       | "                 | 15.4           | 20                     | 5-20P            | "               | "          | "            | "             | "    |
| SCWD09K00  | 230 - 208 | 60 | 9700    | 11.1 | 4.3/4.5 | .79 | 1.9                | N/A    | N/A             | N/A         | N/A     | N/A               | 5.7            | 15                     | 6-20P            | 370/350         | 325/300    | "            | "             | "    |
| SCWD12K00  | "         | "  | 11500   | 9.5  | 5.8/6.1 | .72 | 3.0                | "      | "               | "           | "       | "                 | 7.6            | "                      | "                | "               | "          | "            | "             | "    |
| SCWD15K00  | "         | "  | 13500   | 8.5  | 7.5/8.1 | .68 | 4.0                | "      | "               | "           | "       | "                 | 9.3            | "                      | "                | "               | "          | "            | "             | "    |
| SCWD09R00  | 277       | 60 | 9700    | 11.1 | 3.8     | .79 | 1.9                | N/A    | N/A             | N/A         | N/A     | N/A               | 5.4            | 15                     | 7-20P            | 360             | 310        | "            | "             | "    |
| SCWD12R00  | "         | "  | 11500   | 9.5  | 5.3     | .72 | 3.0                | "      | "               | "           | "       | "                 | 6.4            | "                      | "                | "               | "          | "            | "             | "    |
| SCWD15R00  | "         | "  | 13500   | 8.5  | 6.8     | .68 | 4.0                | "      | "               | "           | "       | "                 | 8.0            | "                      | "                | "               | "          | "            | "             | "    |

\*Time Delay Fuse or HCAR Circuit Breaker--\*Dry Coil--277v models are permanently connected using 20amp non-LCDI cords.  
 \*\*Vent fresh air is only available on chassis with mechanical controls; there is no vent air on chassis with Electronic controls.

| Model     | Voltage   | Hz | Hot Water Heat HIGH SPEED | Hot Water Heat LOW SPEED | Water Flow Rate | Coil Pressure Drop (HIGH SPEED) | Steam Heat HIGH SPEED | Steam Heat LOW SPEED | Heating Current |
|-----------|-----------|----|---------------------------|--------------------------|-----------------|---------------------------------|-----------------------|----------------------|-----------------|
|           |           |    | BTU/Hr                    | BTU/Hr                   | USGPM           | Ft of Water                     | BTU/Hr                | BTU/Hr               | Amps            |
| SCWD__L00 | 115       | 60 | 18500                     | 17400                    | 1.9             | 1.8                             | 22600                 | 21100                | <1              |
| SCWD__K00 | 230 - 208 | "  | 18800 / 18300             | 17700 / 17200            | 1.9 - 1.9       | 2.0 - 1.8                       | 22900 / 22300         | 21600 / 20800        | "               |
| SCWD__R00 | 277       | "  | 18500                     | 17400                    | 1.9             | 1.8                             | 22600                 | 21100                | "               |

**Receptacle // Prise**



Maximum Steam Pressure: 2psig--Steam ratings based on conditions of 70°F entering air, and 2psig steam pressure with heat output automatically adjusting for blower speed.  
 Maximum Water Temperature 210°F--HIGH SPEED water rating based on ASHRAE/AHRI conditions of 70°F entering air, 200°F entering water and 180°F leaving water temperatures.  
 LOW SPEED water ratings based on water flow rate set for HIGH SPEED rating condition operating point.

Specifications Subject to Change Without Notice  
 All brands and product names are trademarks or registered trademarks of their respective owners.

Distributed By:



Applied Comfort Products Inc.  
 1 877 227 7822  
 www.ptacs.com