

# SDC-SUC

FITS  $45\frac{1}{8}"$  X  $16"$  SLEEVE

High Energy Efficiency

Long Service Life

Chromalox™ Space Command

SI & SI-DF Series Replacement



- + optimized design for highest energy efficiency
- + commercial duty construction for reliability & durability
- + acoustic noise cancelling materials for comfort.

## SDC

SLIDE IN REPLACEMENT FOR:  
Chromalox™ Space Command  
DOWNFLOW SI-DF and SHPI-DF Series.

DUCTED to multiple rooms.

Controlled by 24V wall thermostat.



## SUC

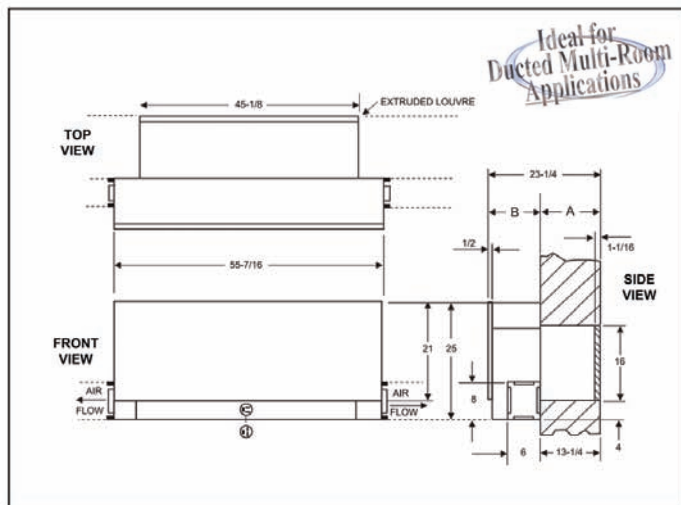
SLIDE IN REPLACEMENT FOR:  
Chromalox™ Space Command  
UPFLOW SI and SHPI Series.

Single-zone heat/cool --- NOT ducted.

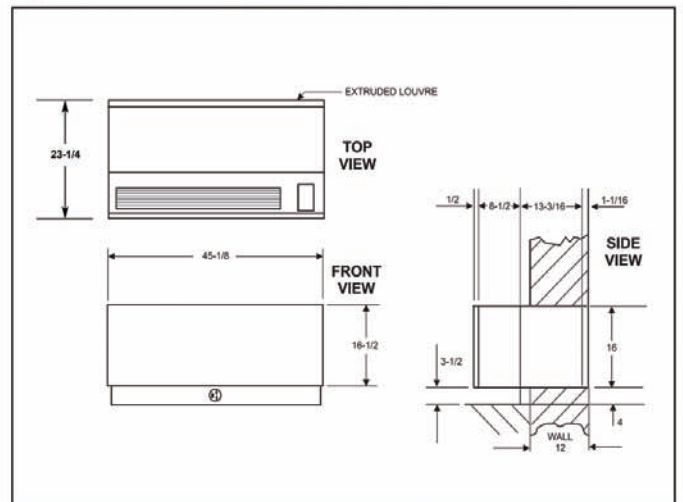
ON-chassis or wall thermostat controlled.



Typical Installation Details



Typical Installation Details



VERIFIED  
FOR ENERGY  
PERFORMANCE

HIGHEST EFFICIENCY

[www.ptacs.com](http://www.ptacs.com)

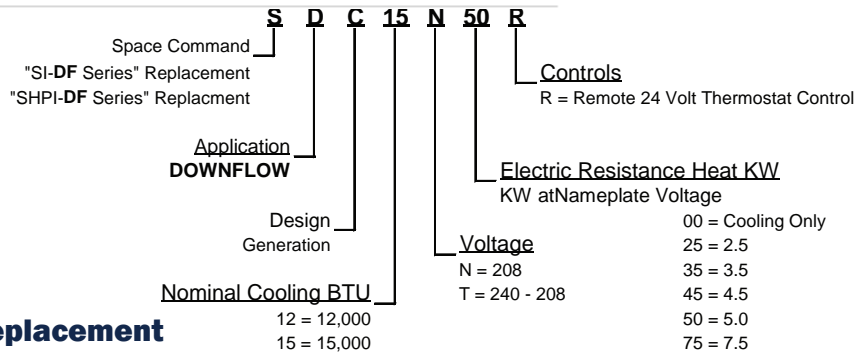
HIGHEST RELIABILITY

# SDC - Chromalox™ DOWNFLOW SI-DF & SHPI-DF Replacement

## Capacity and Physical Data (common DOWNFLOW models shown)

Model	Voltage	Hz	Cooling				Heating			Fuse Amps	Indoor SCFM	Net Wt. (lbs.)	NEMA Plug Non-
			BTU/Hr	EER	Amps	Pints/Hr	BTU/Hr	kW	Amps				
SDC12T25R	240-208	60	12600	10.3	5.9/6.3	4.0	9000/8800	2.5/1.9	11.2/9.7	15	415	165	6-30P
SDC12T35R	240-208	60	12600	10.3	5.9/6.3	4.0	12400/9400	3.5/2.6	15.4/13.3	20	415	165	6-30P
SDC12T50R	240-208	60	12600	10.3	5.9/6.3	4.0	17500/13200	5.0/3.8	21.6/18.8	30	415	165	6-30P
SDC12T75R	240-208	60	12600	10.3	5.9/6.3	4.0	26000/19600	7.5/5.6	32.0/27.9	40	415	165	6-50P
SDC12N45R	208	60	12600	10.3	6.3	4.0	15700	4.5	22.5	30	405	165	6-30P
SDC12N75R	208	60	12600	10.3	6.3	4.0	26000	7.5	36.9	50	405	165	6-50P
SDC15T35R	240-208	60	15100	9.9	7.6/7.8	5.2	12400/9400	3.5/2.6	15.4/13.3	20	415	165	6-30P
SDC15T50R	240-208	60	15100	9.9	7.6/7.8	5.2	17500/13200	5.0/3.8	21.6/18.8	30	415	165	6-30P
SDC15T75R	240-208	60	15100	9.9	7.6/7.8	5.2	26000/19600	7.5/5.6	32.0/27.9	40	415	165	6-50P
SDC15N45R	208	60	15100	9.9	7.8	5.2	15700	4.5	22.4	30	405	165	6-30P
SDC15N75R	208	60	15100	9.9	"	5.2	26000	7.5	36.9	50	405	165	6-30P

1. Based on ASHRAE and ARI test conditions of 95°F DB / 75°F WB outside, 80°F DB / 67°F WB inside.  
 2. Cooling full load amp includes compressor, indoor air fan and outdoor air fan.  
 3. Indoor SCFM are at high fan speed with dry coil.

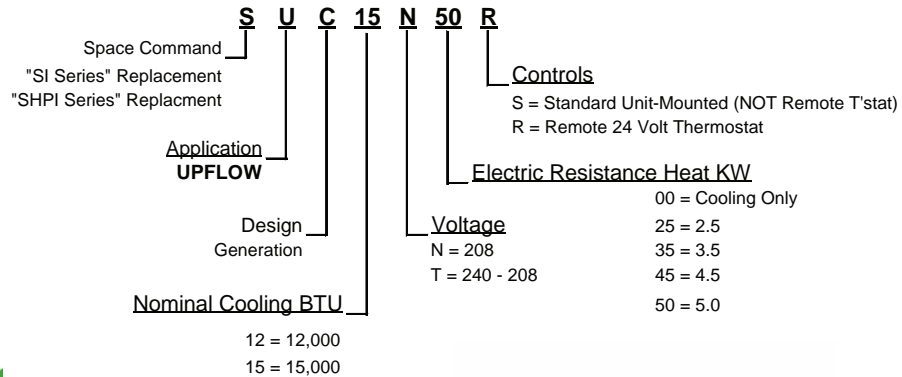


# SUC - Chromalox™ UPFLOW SI & SHPI Replacement

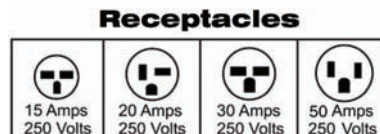
## Capacity and Physical Data (common UPFLOW models shown)

Model	Voltage	Hz	Cooling				Heating			Fuse Amps	Indoor SCFM	Net Wt. (lbs.)	NEMA Plug LCDI
			BTU/Hr	EER	Amps	Pints/Hr	BTU/Hr	kW	Amps				
SUC12T25S	240-208	60	12800	10.7	5.8/6.2	4.0	9000/8800	2.5/1.9	11.1/9.8	15	410	165	6-30P
SUC12T35S	240-208	60	12800	10.7	5.8/6.2	4.0	12400/9400	3.5/2.6	15.3/13.2	20	410	165	6-30P
SUC12T50S	240-208	60	12800	10.7	5.8/6.2	4.0	17500/13200	5.0/3.8	21.5/18.7	30	410	165	6-30P
SUC12N45S	208	60	12800	10.7	6.2	4.0	15700	4.5	22.4	30	395	165	6-30P
SUC15T50S	240-208	60	15300	10.2	7.5/7.7	5.2	17500/13200	5.0/3.8	21.5/18.7	30	410	165	6-30P
SUC15N45S	208	60	15300	10.2	7.5/7.7	5.2	15700	4.5	22.4	30	395	165	6-30P

1. Based on ASHRAE and ARI test conditions of 95°F DB / 75°F WB outside, 80°F DB / 67°F WB inside.  
 2. Cooling full load amp includes compressor, indoor air fan and outdoor air fan.  
 3. Indoor SCFM are at high fan speed with dry coil.



1210 Balmoral Road  
 Cambridge, Ontario, Canada N1T 1A5



Specifications Subject to Change Without Notice

All brands and product names are trademarks or registered trademarks of their respective owners

SDC - SUC