

16

16W (hydronic)

16E (electric)

16E FITS 37 1/2" WIDE X 16" SLEEVE

16W FITS 41 1/2" WIDE X 16" SLEEVE

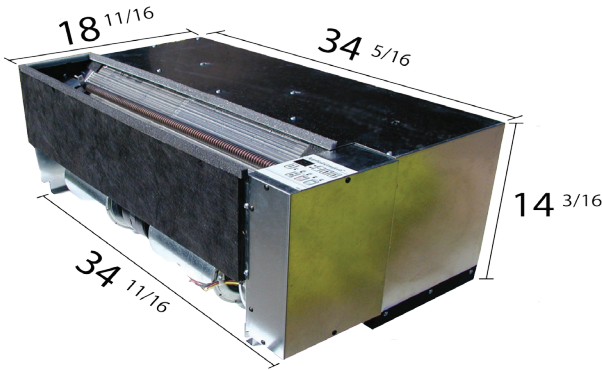
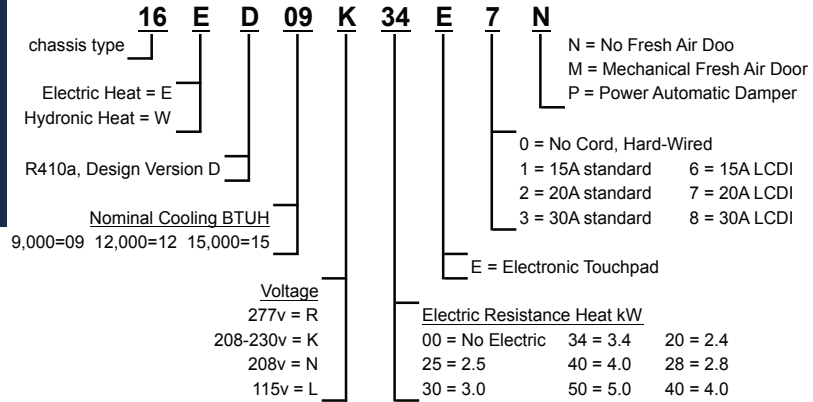
SLIDE IN REPLACEMENT FOR:

16, AAF16, Enersaver, PNES, ENR, WY, R10 - McQuay®, American Air Filter®,

Nelson Air®, Singer®, Remington®, Islandaire®, RetroAire®



Premium, . . . meet Affordable!



Re-engineered in 2014 -- quieter! more efficient!

Uncompromising design, premium UL components, and rigorous QA testing ensure class-leading performance, lowest operating costs, & long service life.

Electronic Touchpad Controls switchable to wall thermostat & EMS.

Fresh Air Door Options include automatic power damper, mechanical, or no door.

Manufacturing premium quality PTAC/PTHPs in North America since 1994!

16ED Air Conditioner with Electric Resistance Heat

PERMANENTLY CONNECTED. SUB-BASE Connected. Non-LCDI short cord plugs into hard-wired protected receptacle in Sub-base.



Model	Voltage	Hz	Min. Circuit Amps	MOP* Fuse Amps	Electrical Plug (NEMA)	Cooling					Resistance Heat			Indoor CFM HIGH ^o	Indoor CFM LOW ^o	Vent** CFM	Net Wt. lbs.
						BTU/Hr.	EER	Amps	S/T	Pts./hr.	BTU/Hr.	kW	Amps				
16ED09L00E2	115	60	12.3	15	#5-20P	9600	11.1	8.4	0.77	2.0	N/A	N/A	N/A	340	270	90	124
16ED12L00E2	"	"	15.4	20	"	11500	9.5	11.6	0.69	3.2	N/A	N/A	N/A	"	"	"	"
16ED09N00E2	208	"	5.8	15	#6-20	9600	11.1	4.4	0.77	2.0	N/A	N/A	N/A	315	250	"	"
16ED09N20E2	"	"	13	"	"	"	"	"	"	"	7300	2.0	10.4	"	"	"	"
16ED09N28E2	"	"	17.4	20	"	"	"	"	"	"	9900	2.8	13.9	"	"	"	"
16ED09N41E2	"	"	25.3	30	"	"	"	"	"	"	14300	4.1	20.2	"	"	"	"
16ED12N00E2	"	"	7.7	15	"	11500	9.5	6.1	0.69	3.2	N/A	N/A	N/A	"	"	"	"
16ED12N20E2	"	"	13	"	"	"	"	"	"	"	7300	2.0	10.4	"	"	"	"
16ED12N28E2	"	"	17.4	20	"	"	"	"	"	"	9900	2.8	13.9	"	"	"	"
16ED12N41E2	"	"	25.3	30	"	"	"	"	"	"	14300	4.1	20.2	"	"	"	"
16ED15N00E2	"	"	9.4	15	"	13500	8.5	8.1	0.69	4.0	N/A	N/A	N/A	375	315	"	"
16ED15N20E2	"	"	13	"	"	"	"	"	"	"	7300	2.0	10.4	"	"	"	"
16ED15N28E2	"	"	17.4	20	"	"	"	"	"	"	9900	2.8	13.9	"	"	"	"
16ED15N41E2	"	"	25.3	30	"	"	"	"	"	"	14300	4.1	20.2	"	"	"	"
16ED09R00E2	277	"	5.4	15	#7-20	9600	11.1	3.7	0.8	1.8	N/A	N/A	N/A	385	330	"	"
16ED09R20E2	"	"	9.8	"	"	"	"	"	"	"	7200	2.0	7.8	"	"	"	"
16ED09R30E2	"	"	14.2	"	"	"	"	"	"	"	10600	3.0	11.4	"	"	"	"
16ED09R40E2	"	"	18.7	20	"	"	"	"	"	"	14000	4.0	15	"	"	"	"
16ED12R00E2	"	"	6.4	15	"	11500	9.5	5.2	0.74	2.7	N/A	N/A	N/A	"	"	"	"
16ED12R20E2	"	"	9.8	"	"	"	"	"	"	"	7200	2.0	7.8	"	"	"	"
16ED12R30E2	"	"	14.2	"	"	"	"	"	"	"	10600	3.0	11.6	"	"	"	"
16ED12R40E2	"	"	18.7	20	"	"	"	"	"	"	14000	4.0	15	"	"	"	"
16ED15R00E2	"	"	8	15	"	13500	8.5	6.9	0.69	4.0	N/A	N/A	N/A	"	"	"	"
16ED15R20E2	"	"	9.8	"	"	"	"	"	"	"	7200	2.0	8	"	"	"	"
16ED15R30E2	"	"	14.2	"	"	"	"	"	"	"	10600	3.0	11.4	"	"	"	"
16ED15R40E2	"	"	18.7	20	"	"	"	"	"	"	14000	4.0	15	"	"	"	"

*Time Delay Fuse or HCAR Circuit Breaker ---- *Dry Coil ---- 277v models are permanently connected using 20amp non-LCDI cords.

Premium

www.ptacs.com

Affordable

16ED Air Conditioner with Electric Resistance Heat

CORD-CONNECTED. LCDI full-length Cord for connection to remote receptacle.

Model	Voltage	Hz	Min. Circuit Amps	MOP* Fuse Amps	Electrical Plug (NEMA)	Cooling					Resistance Heat			Indoor CFM HIGH*	Indoor CFM LOW*	Vent** CFM	Net Wt. lbs.
						BTU/Hr.	EER	Amps	S/T	Pts./hr.	BTU/Hr.	kW	Amps				
16ED09L00E6	115	60	12.3	15	#5-15P	9600	11.1	8.4	0.77	2.0	N/A	N/A	N/A	325	270	90	124
16ED09L00E7	"	"	"	20	#5-20P	"	"	"	"	"	"	"	"	"	"	"	"
16ED12L00E7	"	"	15.4	"	"	11500	9.5	11.6	0.69	3.3	"	"	"	"	"	"	"
16ED09K00E6	230 - 208	"	5.8	15	#6-15P	9600	11.1	4.2/4.41	0.77	2.0	N/A	N/A	N/A	340/315	280/250	"	"
16ED09K00E7	"	"	"	20	#6-20P	"	"	"	"	"	"	"	"	"	"	"	"
16ED09K25E6	"	"	14.3	15	#6-15P	"	"	"	"	"	8900/7300	2.5/2.1	11.4/10.4	"	"	"	"
16ED09K25E7	"	"	"	20	#6-20P	"	"	"	"	"	8900/7300	2.5/2.1	11.4/10.4	"	"	"	"
16ED09K34E7	"	"	19.2	"	"	"	"	"	"	"	12000/9900	3.4/2.8	15.3/13.9	"	"	"	"
16ED09K34E8	"	"	"	30	#6-30P	"	"	"	"	"	12000/9900	3.4/2.8	15.3/13.9	"	"	"	"
16ED09K50E8	"	"	27.9	"	"	"	"	"	"	"	17400/14300	5/4.1	22.3/20.2	"	"	"	"
16ED12K00E6	"	"	7.7	15	#6-15P	11500	9.5	5.8/6.1	0.69	3.2	N/A	N/A	N/A	"	"	"	"
16ED12K00E7	"	"	"	20	#6-20P	"	"	"	"	"	"	"	"	"	"	"	"
16ED12K25E6	"	"	14.3	15	#6-15P	"	"	"	"	"	8900/7300	2.5/2.1	11.4/10.4	"	"	"	"
16ED12K25E7	"	"	"	20	#6-20P	"	"	"	"	"	8900/7300	2.5/2.1	11.4/10.4	"	"	"	"
16ED12K34E7	"	"	19.2	"	"	"	"	"	"	"	12000/9900	3.4/2.8	15.3/13.9	"	"	"	"
16ED12K34E8	"	"	"	30	#6-30P	"	"	"	"	"	12000/9900	3.4/2.8	15.3/13.9	"	"	"	"
16ED12K50E8	"	"	27.9	"	"	"	"	"	"	"	17400/14300	5/4.1	22.3/20.2	"	"	"	"
16ED15K00E6	"	"	9.4	15	#6-15P	13500	8.5	7.7/8.1	0.69	4.0	N/A	N/A	N/A	395/375	340/315	"	"
16ED15K00E7	"	"	"	20	#6-20P	"	"	"	"	"	"	"	"	"	"	"	"
16ED15K25E6	"	"	14.3	15	#6-15P	"	"	"	"	"	8900/7300	2.5/2.1	11.4/10.4	"	"	"	"
16ED15K25E7	"	"	"	20	#6-20P	"	"	"	"	"	8900/7300	2.5/2.1	11.4/10.4	"	"	"	"
16ED15K34E7	"	"	19.2	"	"	"	"	"	"	"	12000/9900	3.4/2.8	15.3/13.9	"	"	"	"
16ED15K34E8	"	"	"	30	#6-30P	"	"	"	"	"	12000/9900	3.4/2.8	15.3/13.9	"	"	"	"
16ED15K50E8	"	"	27.9	"	"	"	"	"	"	"	17400/14300	5/4.1	22.3/20.2	"	"	"	"

*Time Delay Fuse or HCAR Circuit Breaker ---- *Dry Coil

16WD Air Conditioner with Hydronic Heat

PERMANENTLY CONNECTED. SUB-BASE Connected. Non-LCDI cord plugs into hard-wired protected receptacle.

Model	Voltage	Hz	Min. Circuit Amps	MOP* Fuse Amps	Electrical Plug (NEMA)	Cooling					Resistance Heat			Indoor CFM HIGH*	Indoor CFM LOW*	Vent** CFM	Net Wt. lbs.
						BTU/Hr.	EER	Amps	S/T	Pts./hr.	BTU/Hr.	kW	Amps				
16WD09L00E2	115	60	12.3	15	#5-20P	9600	11.1	8.4	0.77	2.0	N/A	N/A	N/A	310	260	90	124
16WD12L00E2	"	"	15.4	20	"	11500	9.5	11.6	0.75	"	"	"	"	370	315	"	"
16WD09K00E2	230 - 208	"	5.8	15	#6-20	9600	11.1	4.2/4.4	0.77	"	"	"	"	325/300	270/250	"	"
16WD12K00E2	"	"	7.7	"	"	11500	9.5	5.8/6.1	0.75	2.8	"	"	"	380/355	325/300	"	"
16WD15K00E2	"	"	9.4	"	"	13500	8.5	7.7/8.1	0.69	4.0	"	"	"	"	"	"	"
16WD09R00E2	277	"	5.4	15	#7-20	9600	11.1	3.7	0.80	1.8	"	"	"	370	315	"	"
16WD12R00E2	"	"	6.4	"	"	11500	9.5	5.2	0.75	2.6	"	"	"	"	"	"	"
16WD15R00E2	"	"	8	"	"	13500	8.5	6.9	0.69	4.0	"	"	"	"	"	"	"

*Time Delay Fuse or HCAR Circuit Breaker ---- *Dry Coil

Model	Voltage	Hz	Hot Water Heat HIGH SPEED	Hot Water Heat LOW SPEED	Water Flow Rate	Coil Pressure Drop (HIGH SPEED)	Steam Heat HIGH SPEED	Steam Heat LOW SPEED	Heating Current
			BTU/Hr.	BTU/Hr.	USGPM	Ft of Water	BTU/Hr.	BTU/Hr.	Amps
16WD09L00E2	115	60	18100	16500	1.9	1.7	24200	21800	<1
16WD12L00E2	"	"	20100	18600	2.1	2.0	26700	24400	"
16WD09K00E2	230 - 208	"	18600/17700	16900/15800	1.9 - 1.8	1.8 - 1.6	24800/23700	22300/20800	"
16WD12K00E2	"	"	20500/19600	18900/18000	2.1 - 2.0	2.2 - 2.0	27100/26100	24800/23700	"
16WD15K00E2	"	"	"	"	"	"	"	"	"
16WD09R00E2	277	"	20100	18600	2.1	2.0	26700	24400	"
16WD12R00E2	"	"	"	"	"	"	"	"	"
16WD15R00E2	"	"	"	"	"	"	"	"	"

Maximum Water Temperature: 210°F ---- HIGH SPEED Water ratings based on ASHRAE/AHRI conditions of 70°F entering air, 200°F entering water and 180°F leaving water temperatures. LOW SPEED Water ratings based on water flow rate set for HIGH SPEED rating condition operating point.

Maximum Steam Pressure: 2 psig ---- Steam ratings based on 70°F entering air, and 2 psig steam pressure with heat output automatically adjusting for blower speed.

Specifications Subject to Change Without Notice

All brands and product names are trademarks or registered trademarks of their respective owners.

