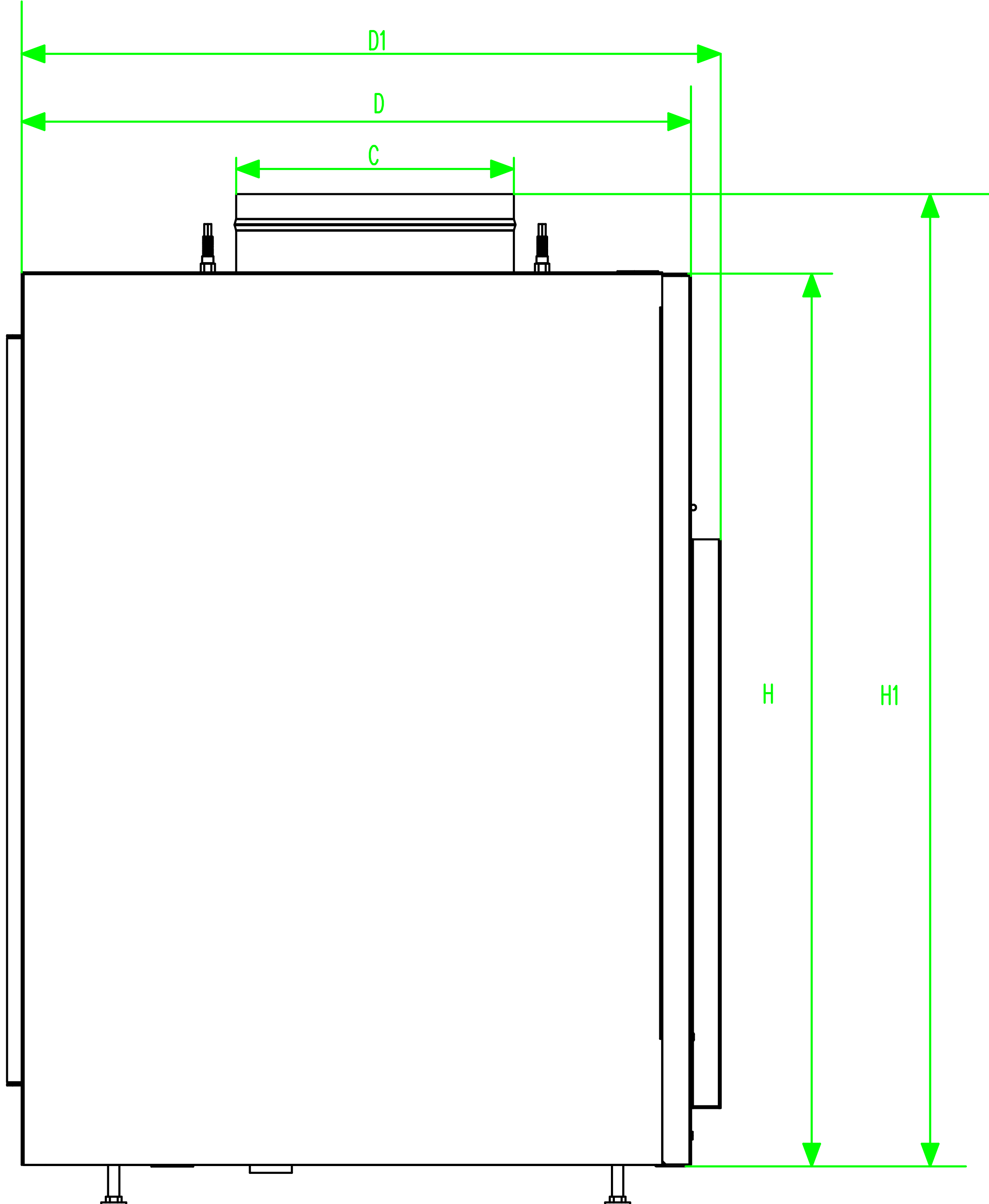
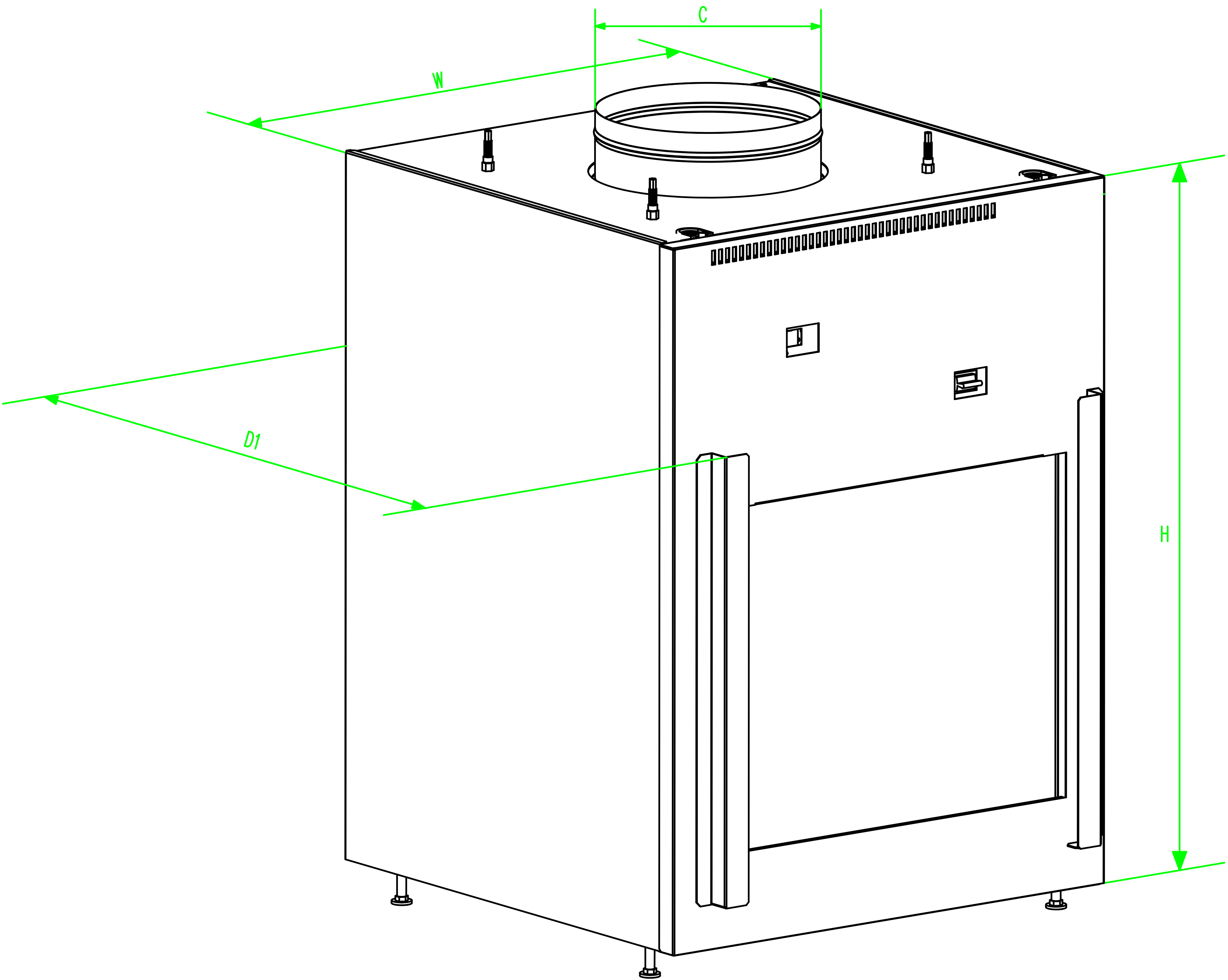


The VTAC Series Product Dimensions



PRODUCT DIMENSIONS inch (mm)							Net/Gross weight {LBS(kg)}
Model	W	H	D	H1	D1	C	
VF20HA09K36E7M90	23" 1/8 (587)	30" 9/10 (787)	23" 1/8 (587)	33" 3/4 (856)	24" 1/4 (615)	10" (254)	168/185.6 (76/84)
VF20HA12K36E7M90	23" 1/8 (587)	30" 9/10 (787)	23" 1/8 (587)	33" 3/4 (856)	24" 1/4 (615)	10" (254)	174/191 (79/87)
VF20HA18K50E8M80	23" 1/8 (587)	30" 9/10 (787)	23" 1/8 (587)	33" 3/4 (856)	24" 1/4 (615)	10" (254)	184/201 (83.5/91.5)
VI20HA09K36E7M30	23" 1/8 (587)	30" 9/10 (787)	23" 1/8 (587)	33" 3/4 (856)	24" 1/4 (615)	10" (254)	169/189 (77/86)
VI20HA12K36E7M30	23" 1/8 (587)	30" 9/10 (787)	23" 1/8 (587)	33" 3/4 (856)	24" 1/4 (615)	10" (254)	169/189 (77/86)
VI20HA15K50E8M30	23" 1/8 (587)	30" 9/10 (787)	23" 1/8 (587)	33" 3/4 (856)	24" 1/4 (615)	10" (254)	169/189 (77/86)